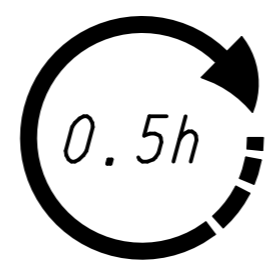
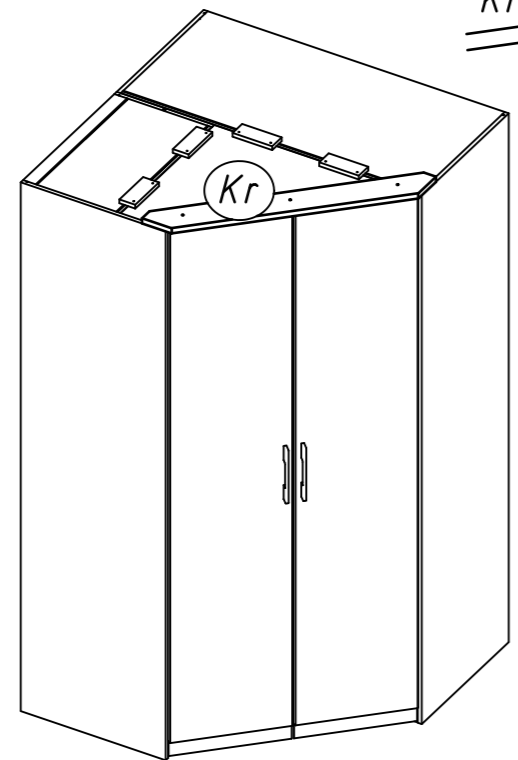
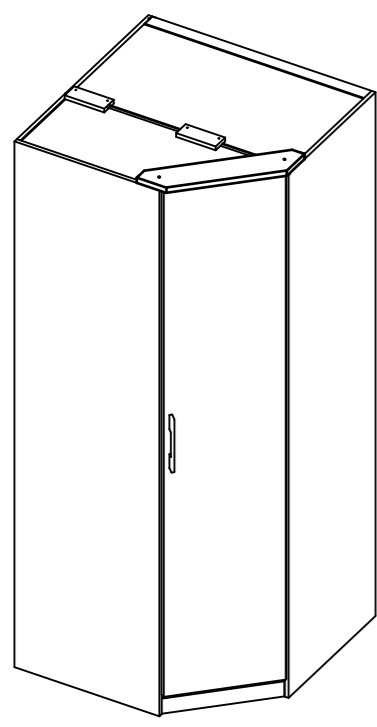
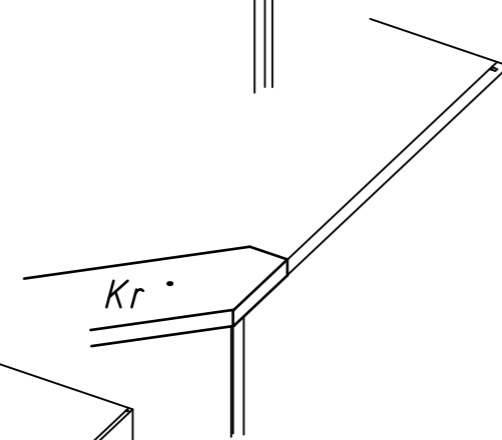
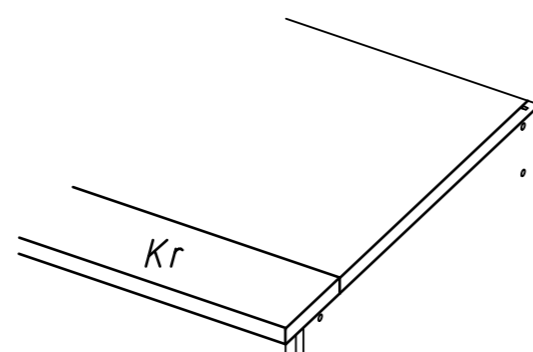
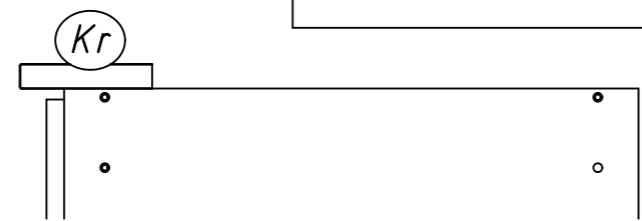
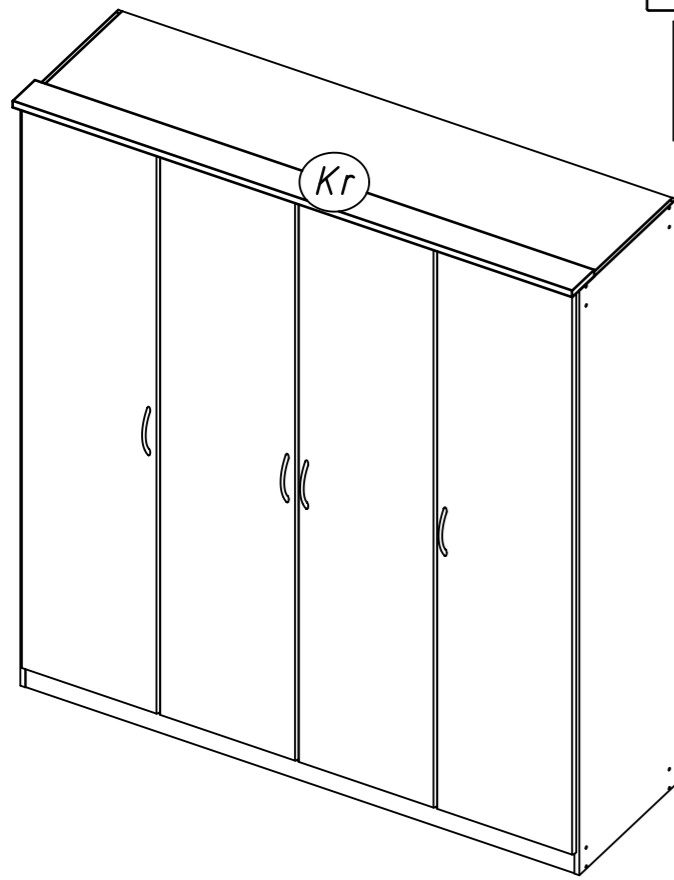
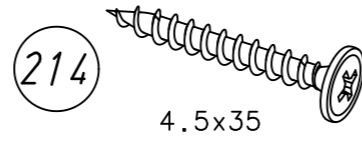
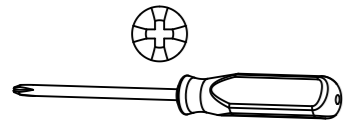


1.

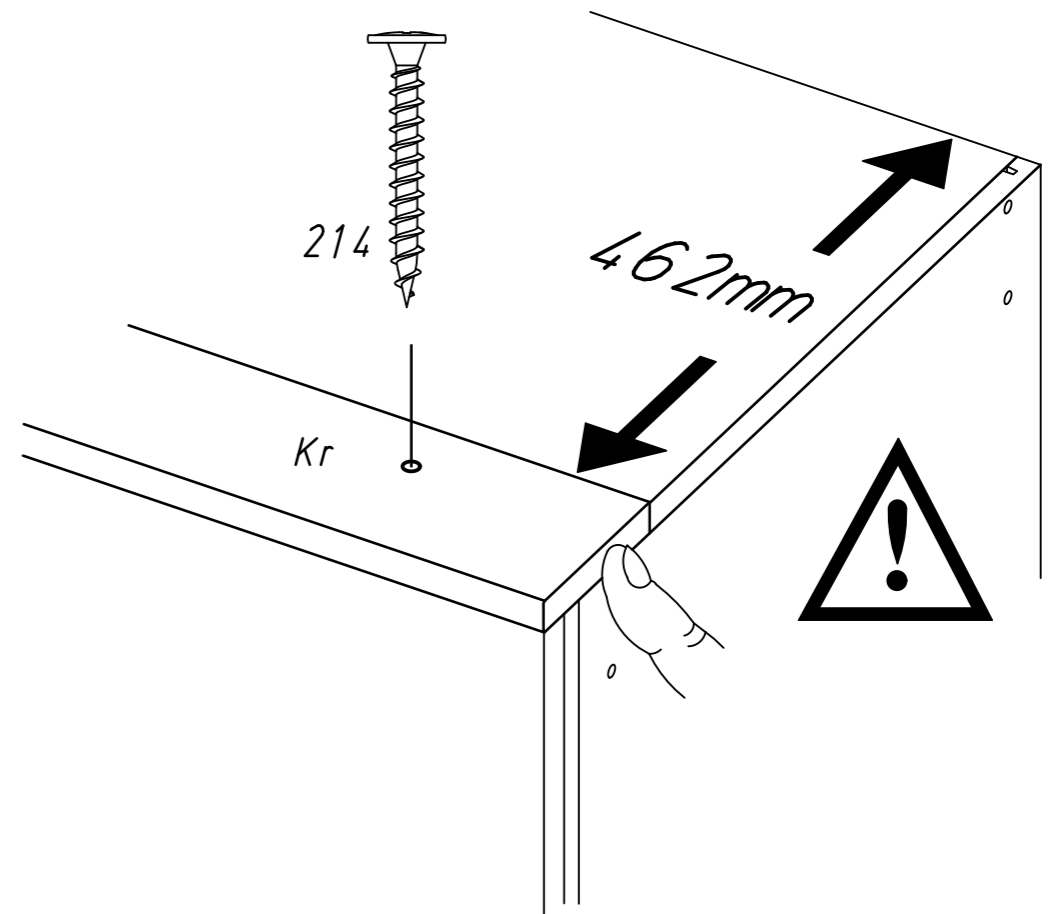
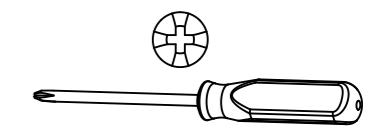
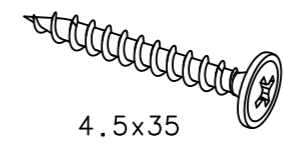
ME203\_13



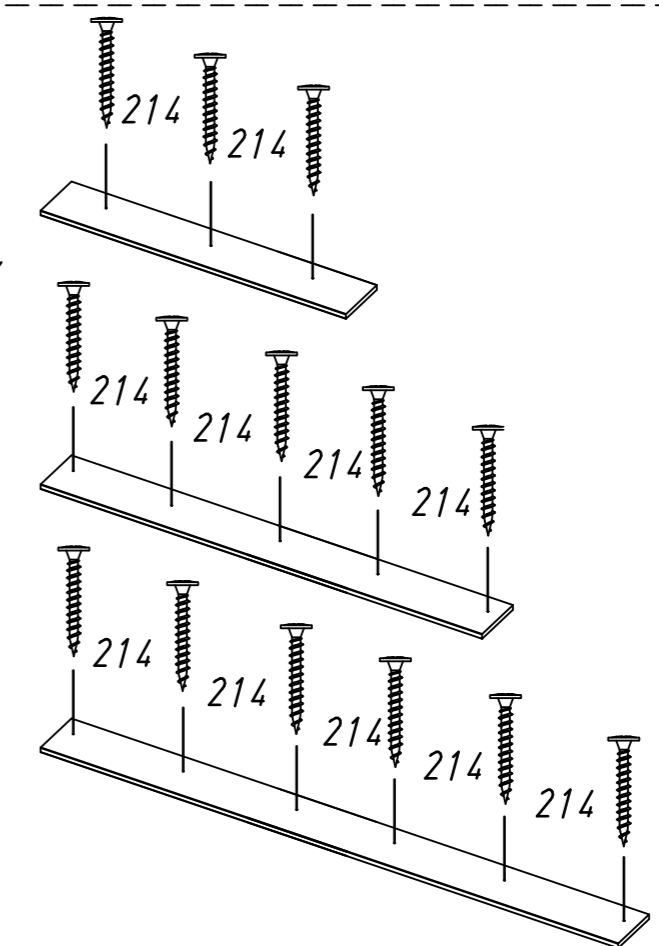
2.

1

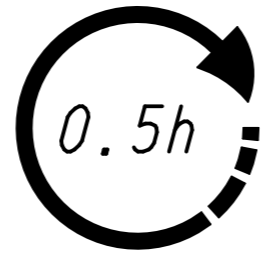
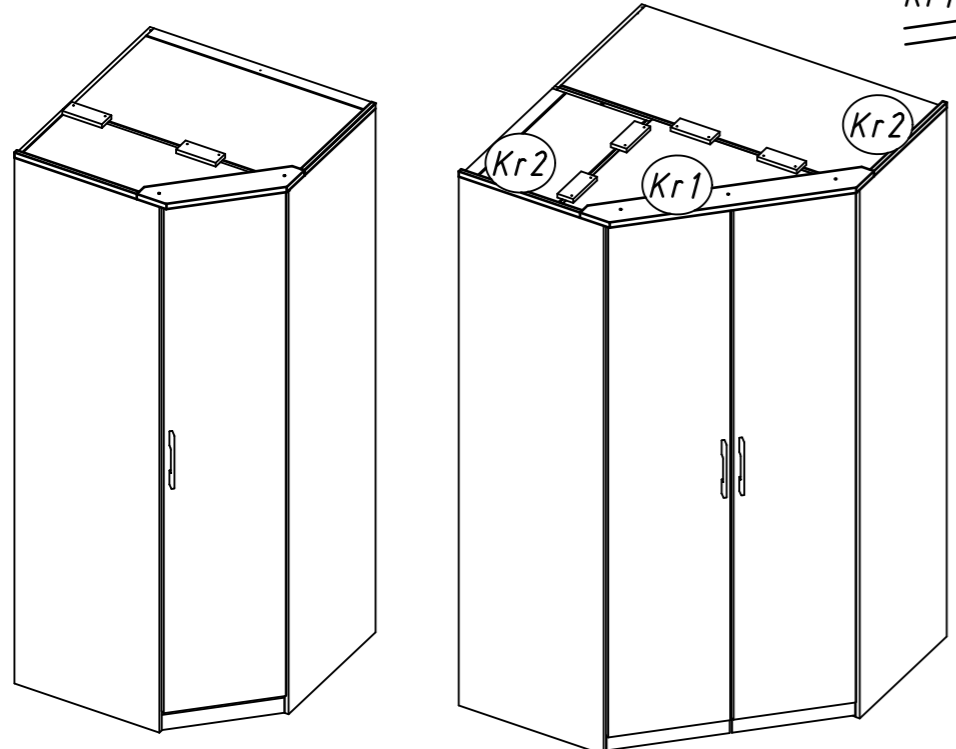
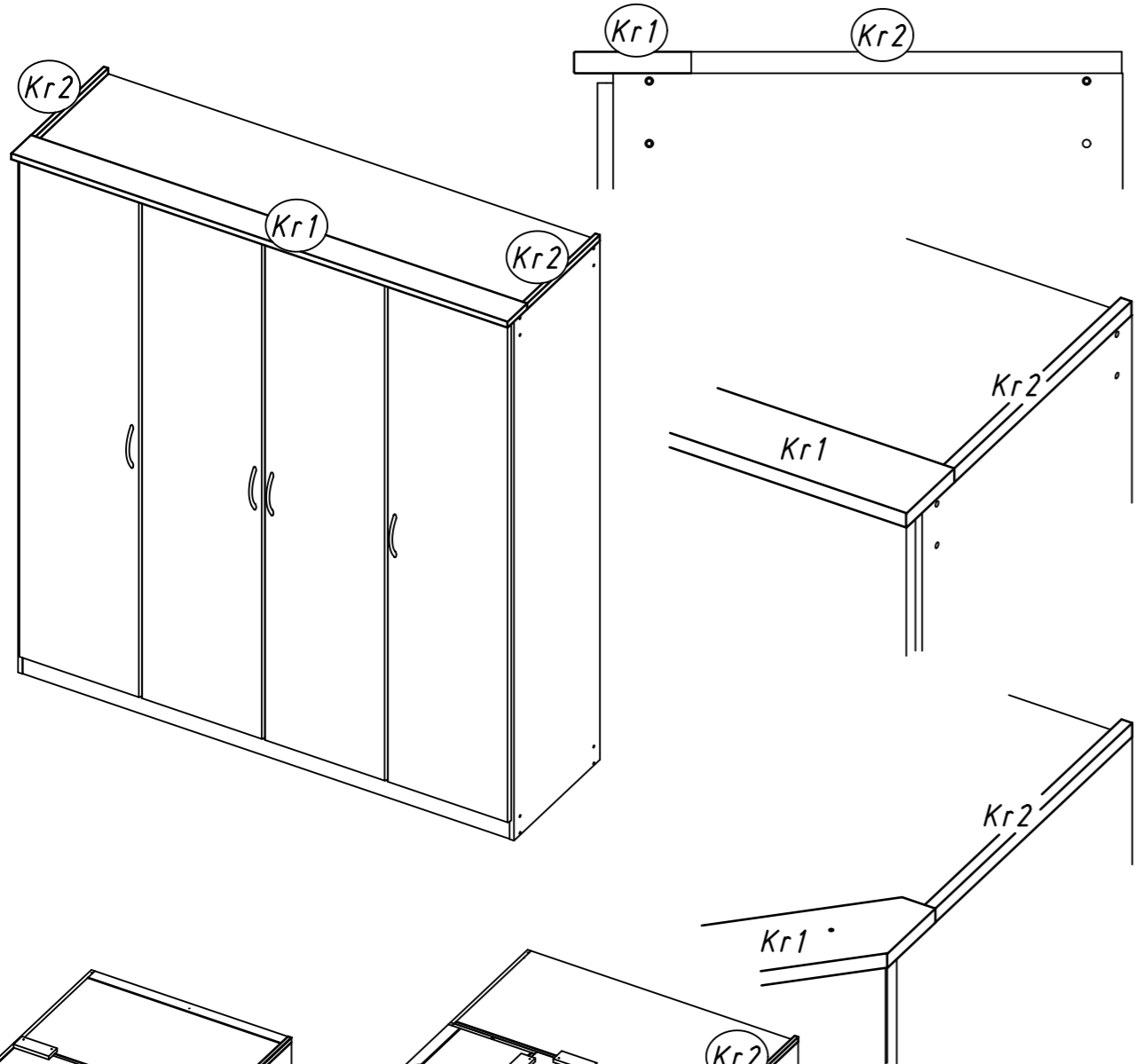
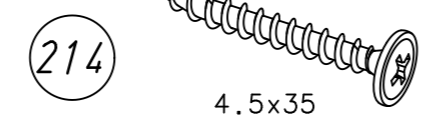
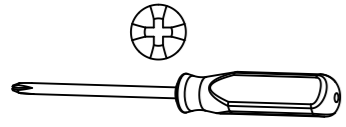
**X** x 214



**X**

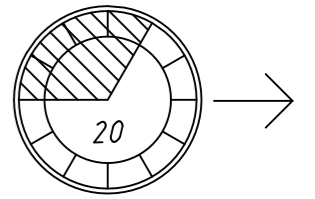
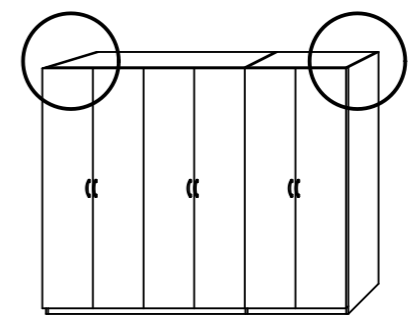
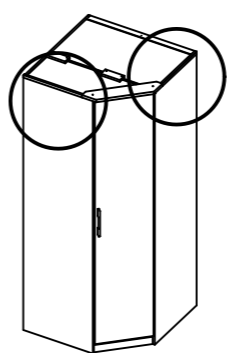
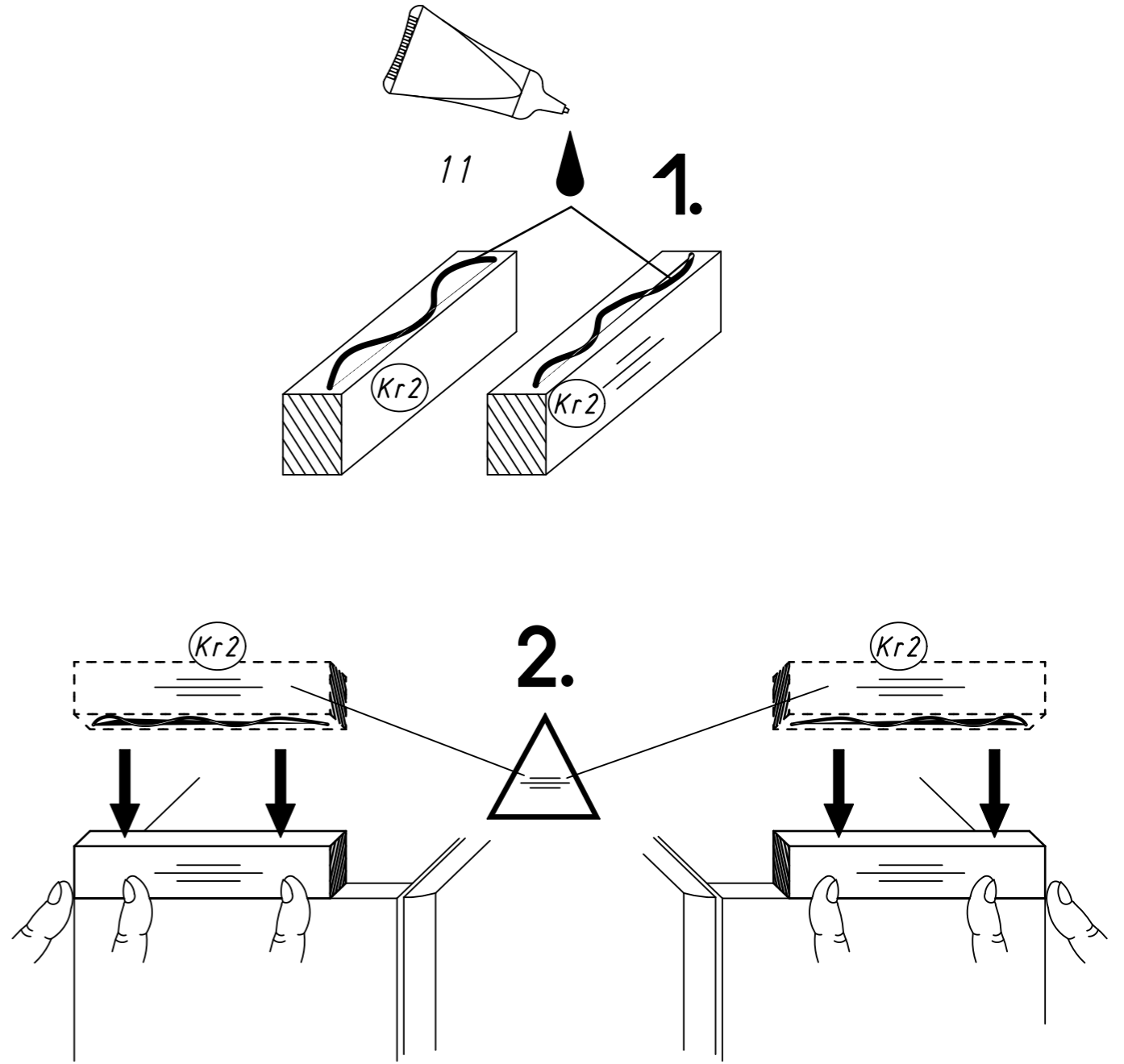
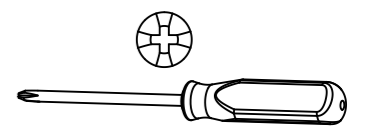
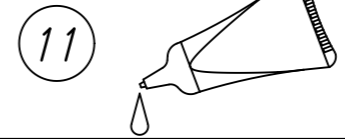


3.



ME203

4.



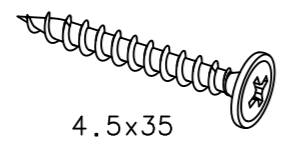
ME203

5.

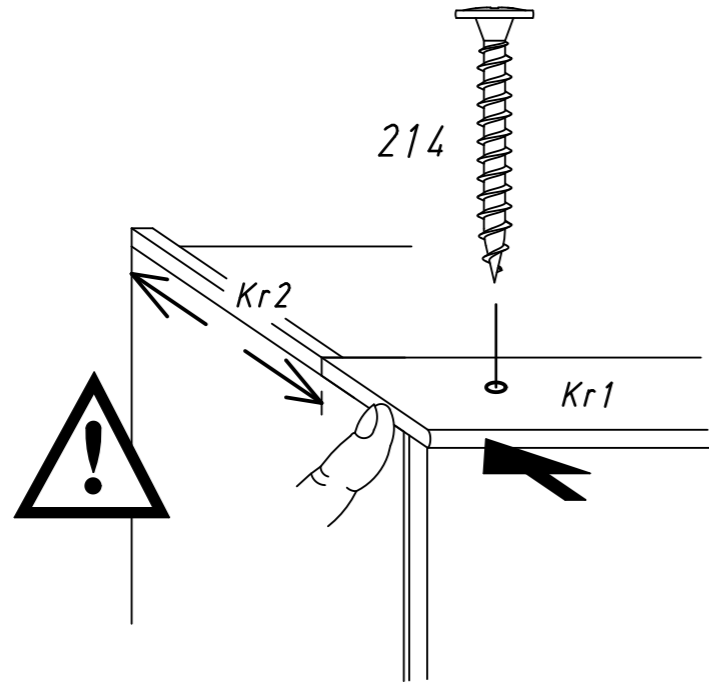
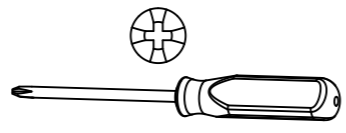
2

**X x**

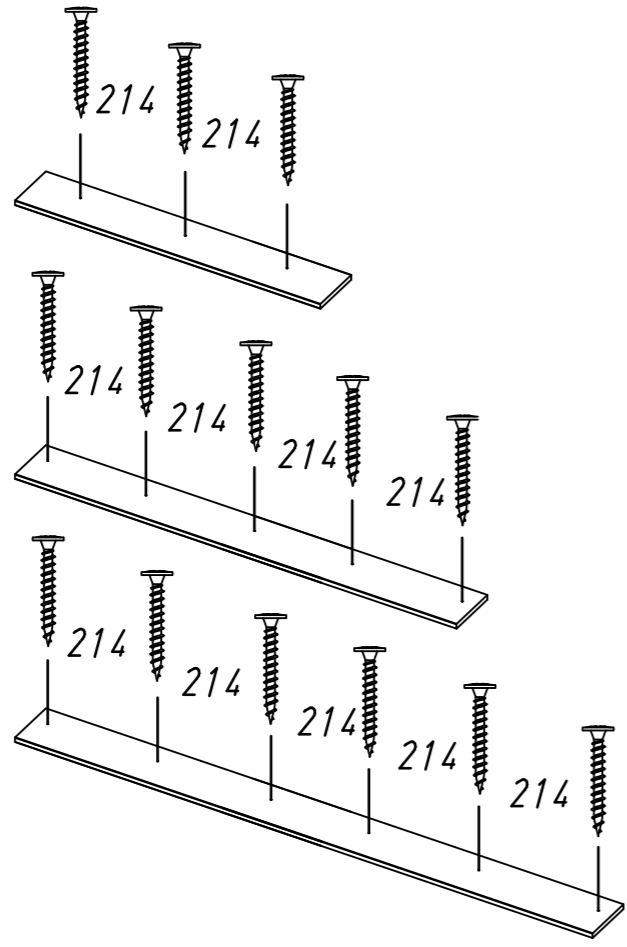
214



4.5x35

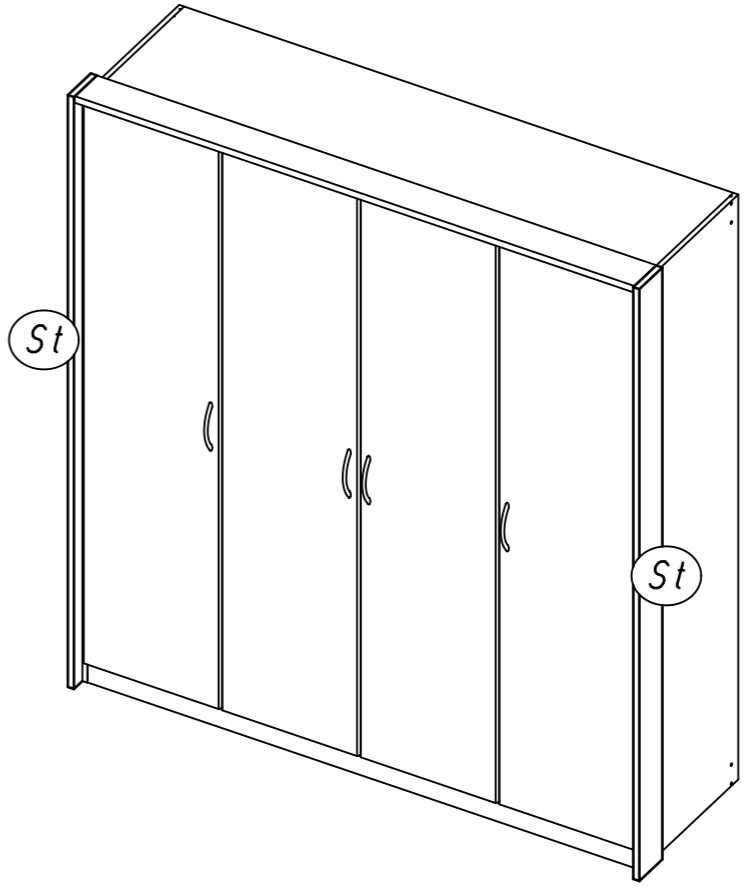


**X**

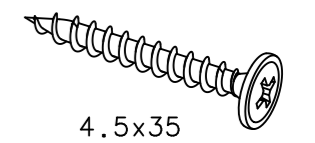


ME203

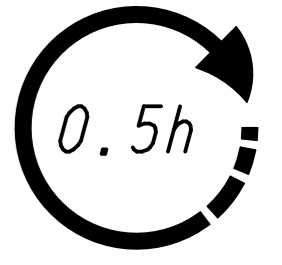
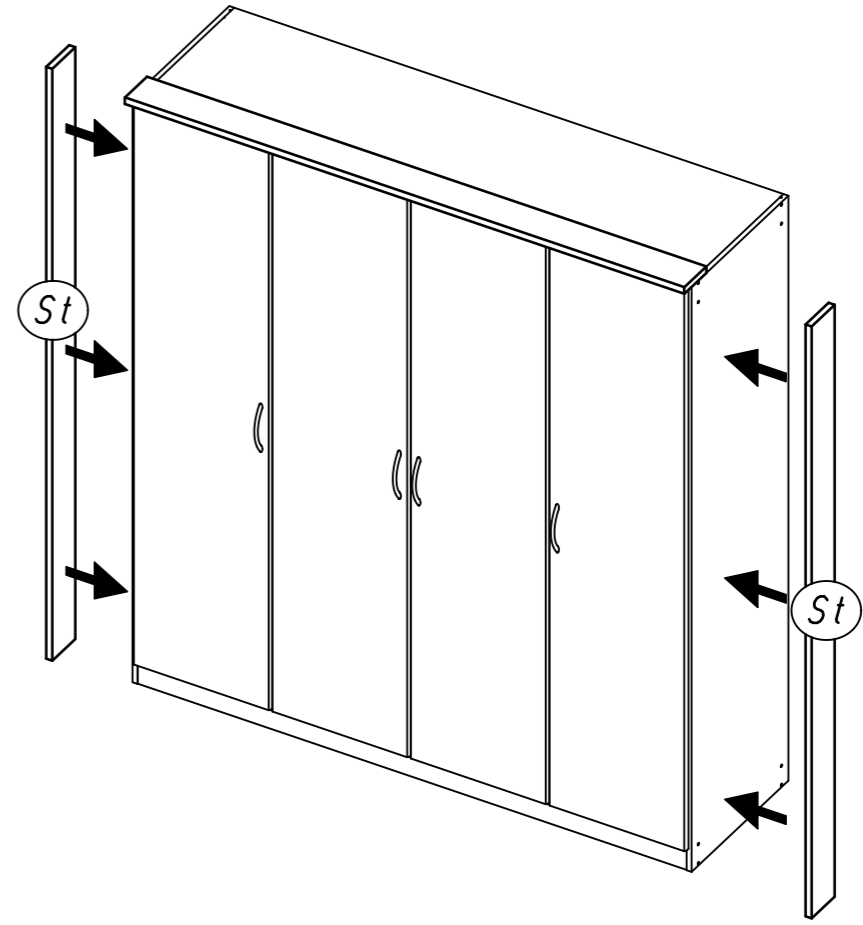
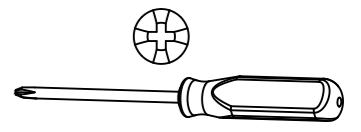
6.



214



4.5x35

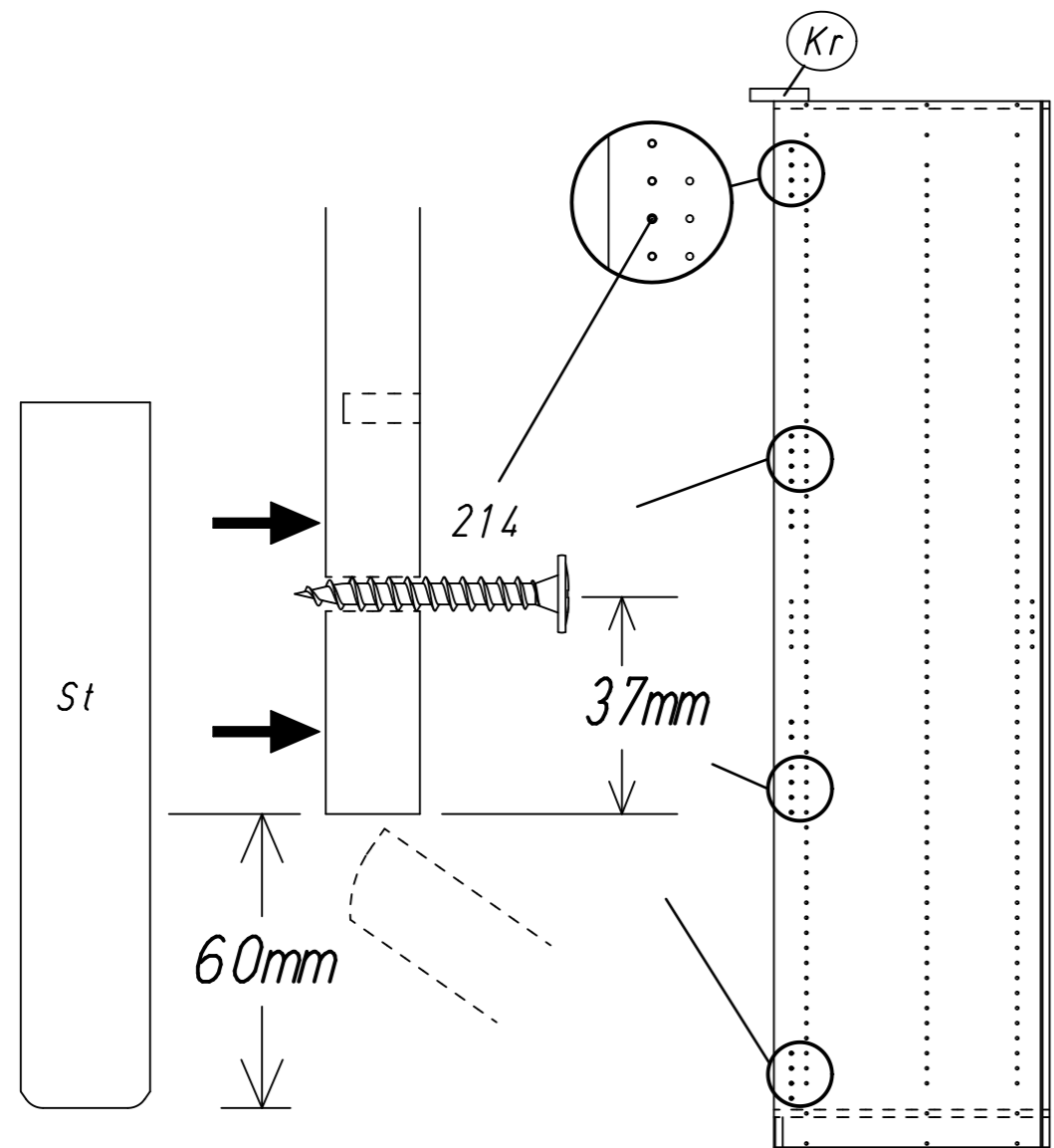
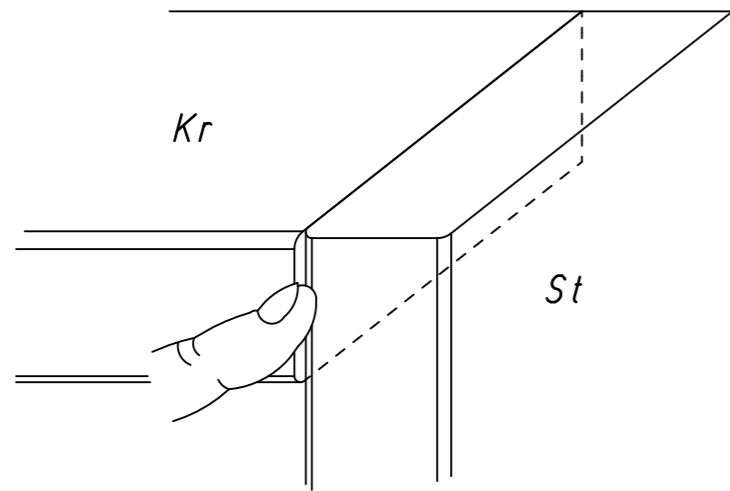
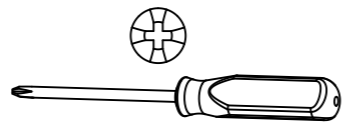
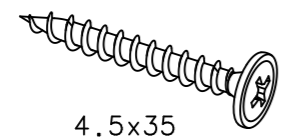


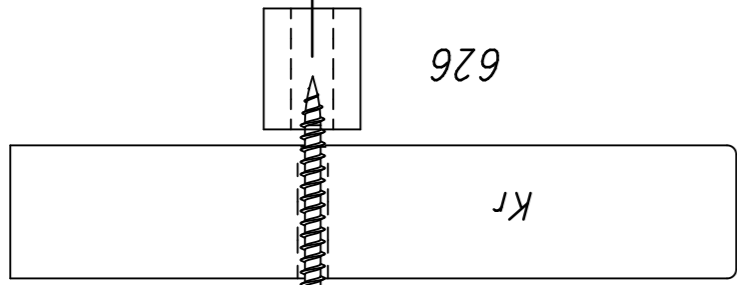
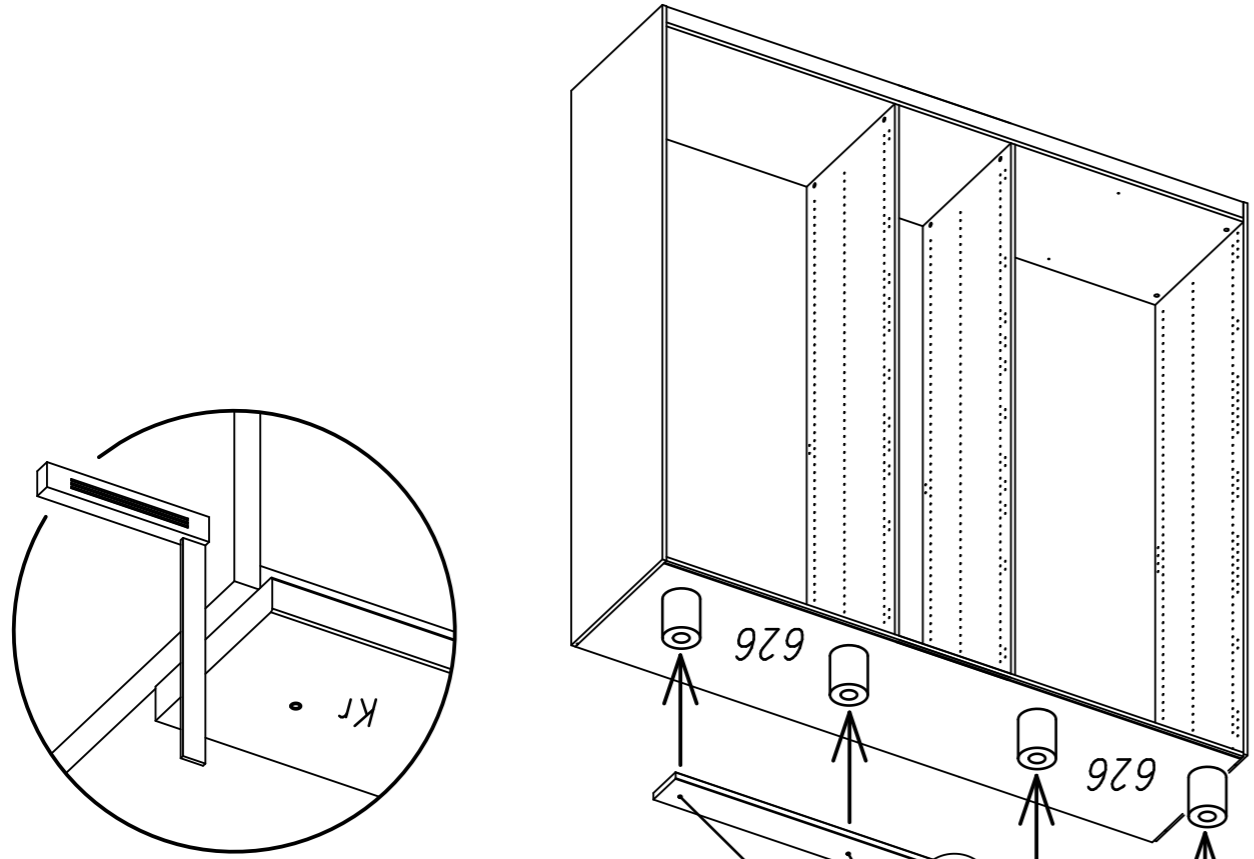
ME203

1

8x

214





1057

626

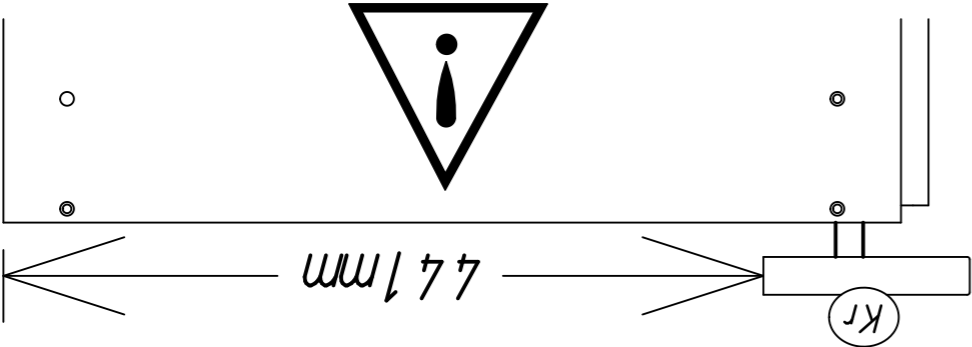
Kr

1057

Kr

626

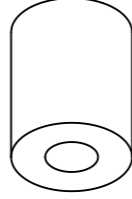
626



47 mm

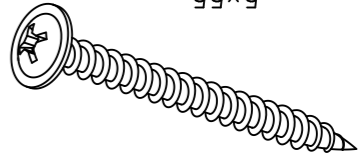
Kr

ø16x20

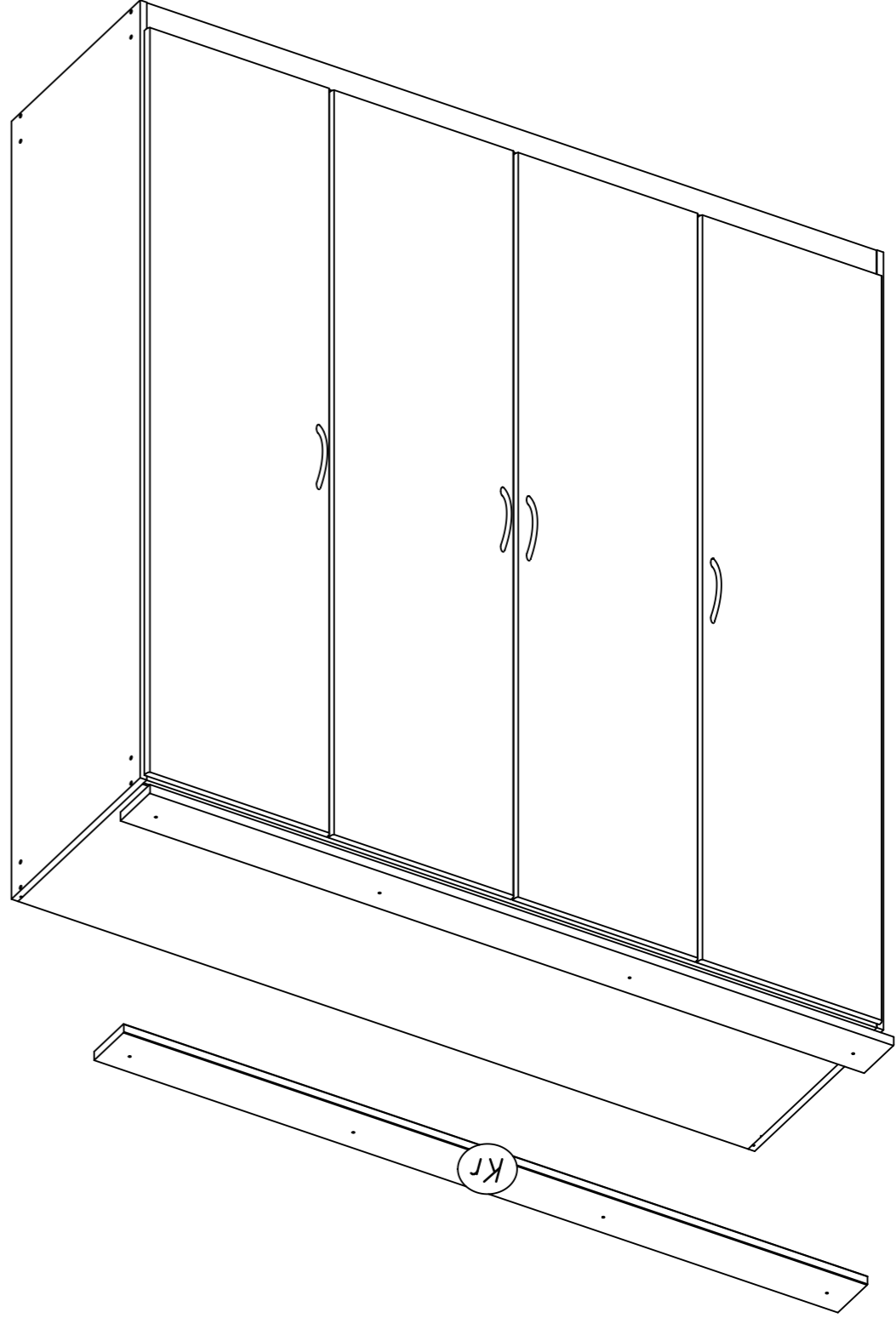


626

5x55



1057



Kr

MZ049\_02