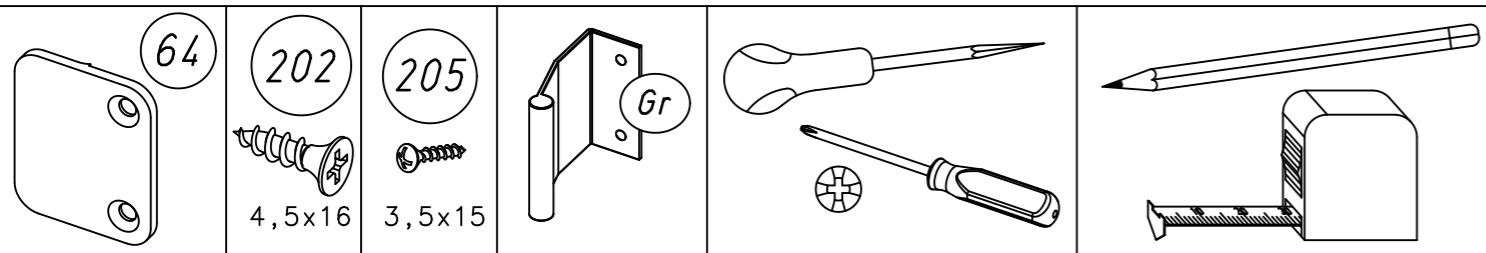


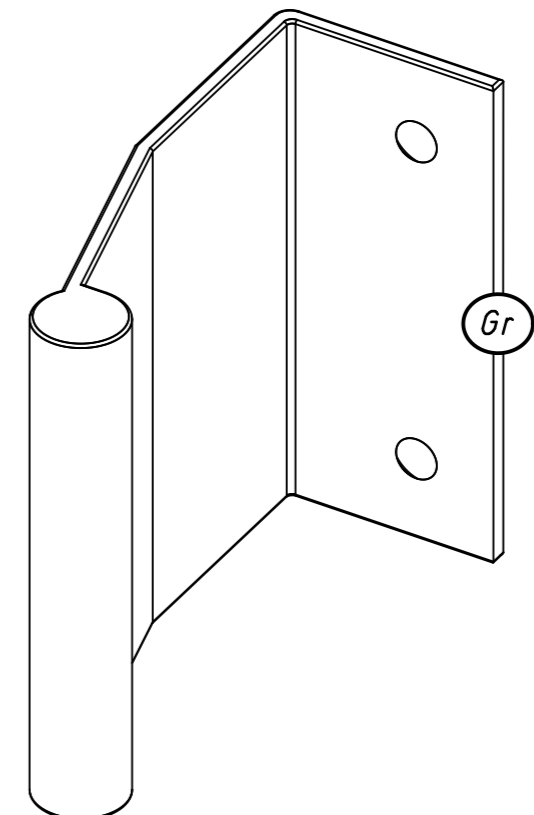
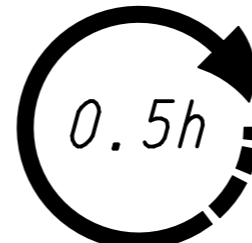
1.

ME480\_09

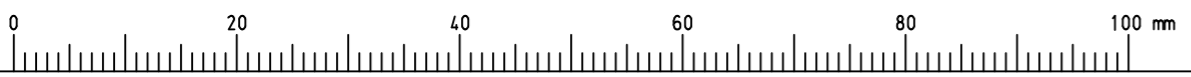
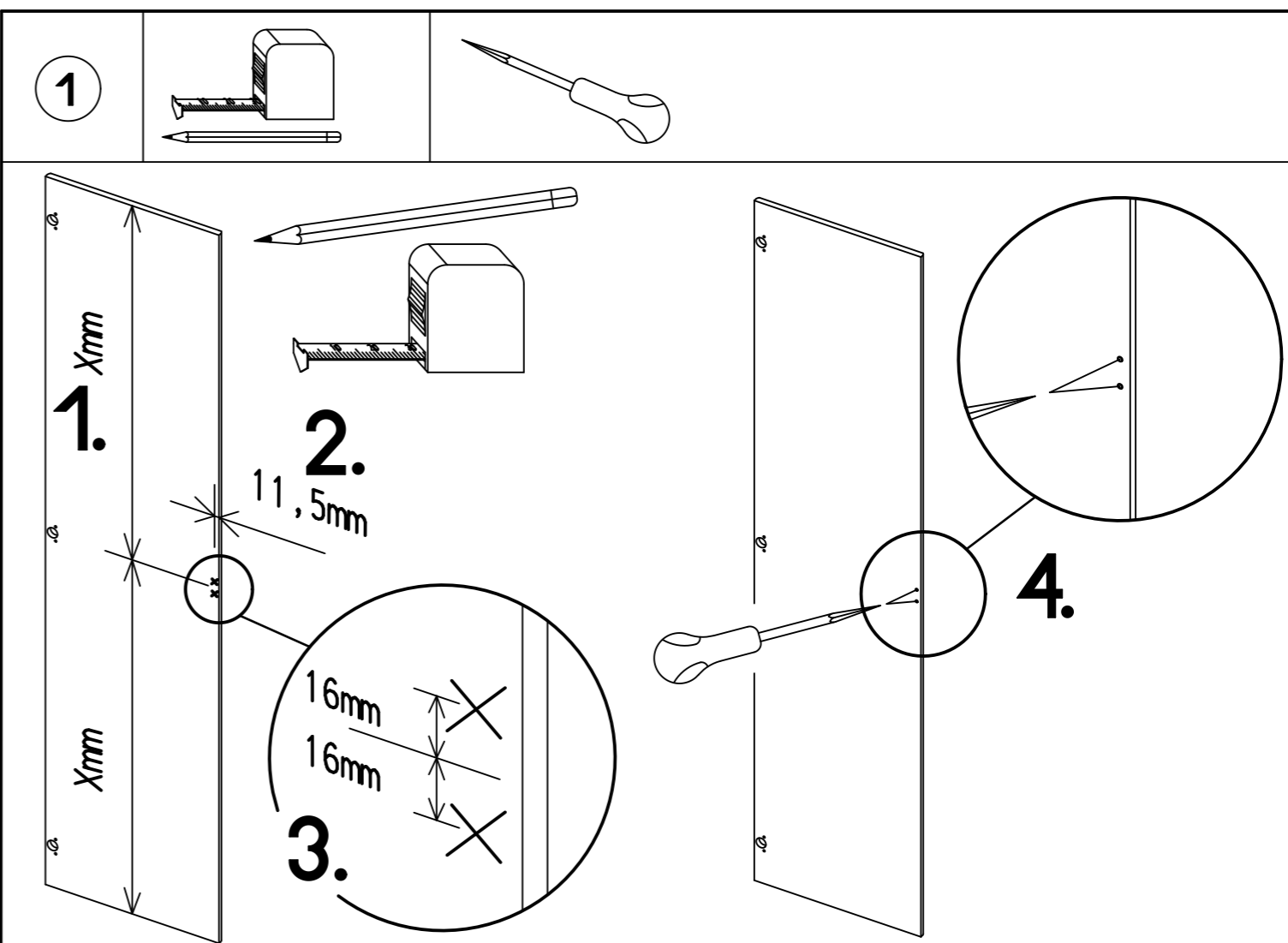
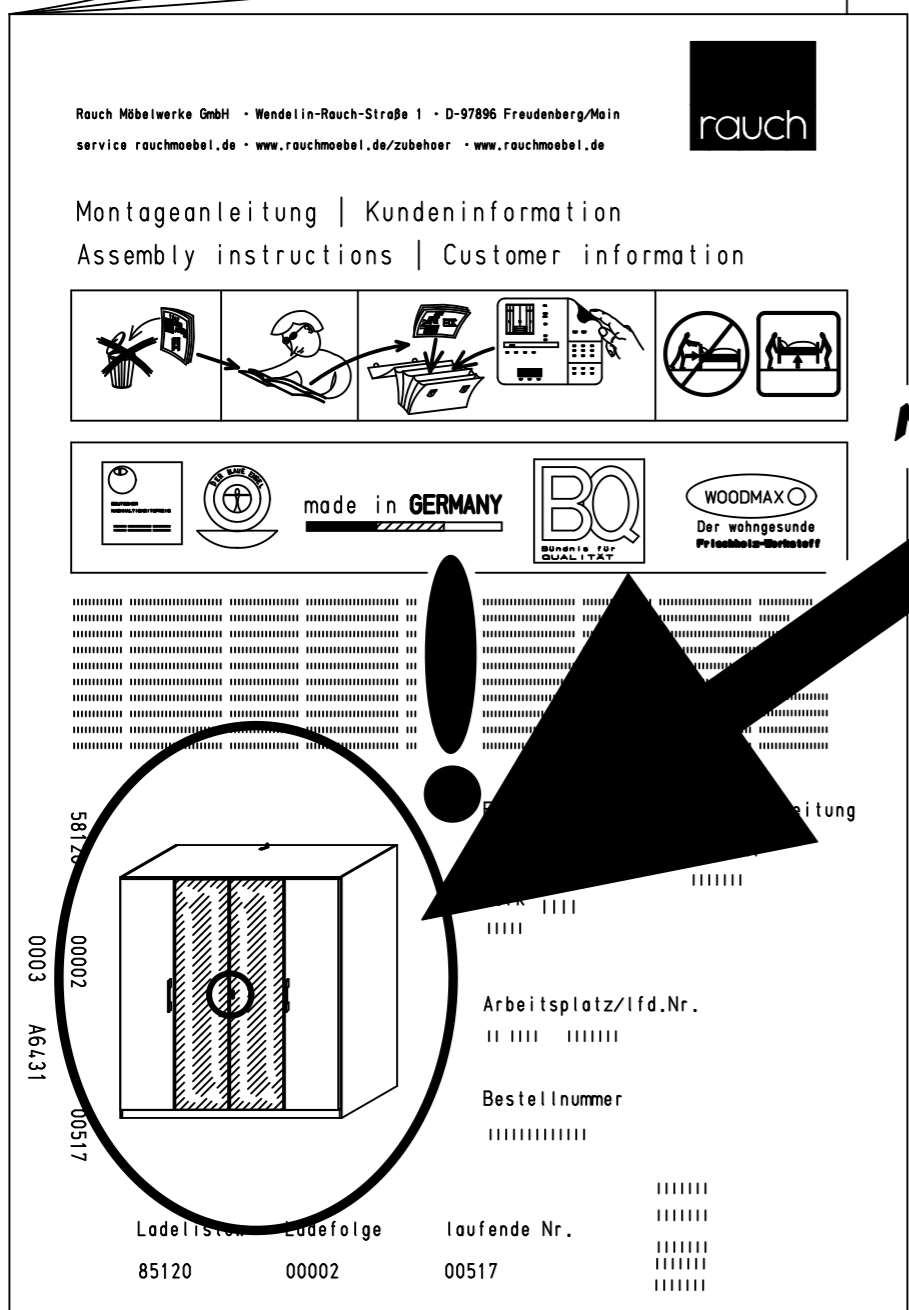
rauch



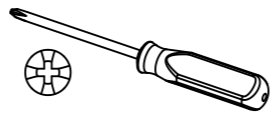
2.



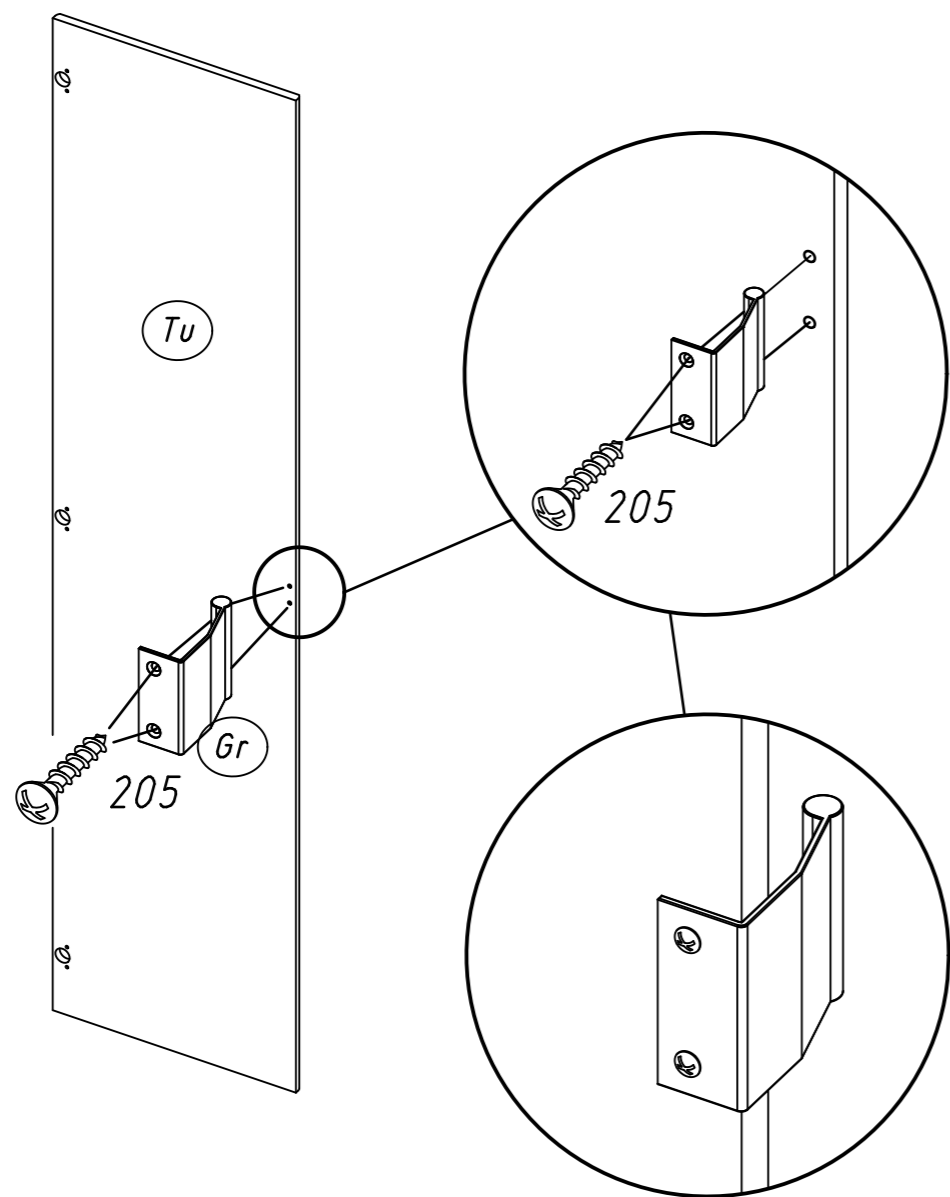
1...2...3...4...X Gr ?



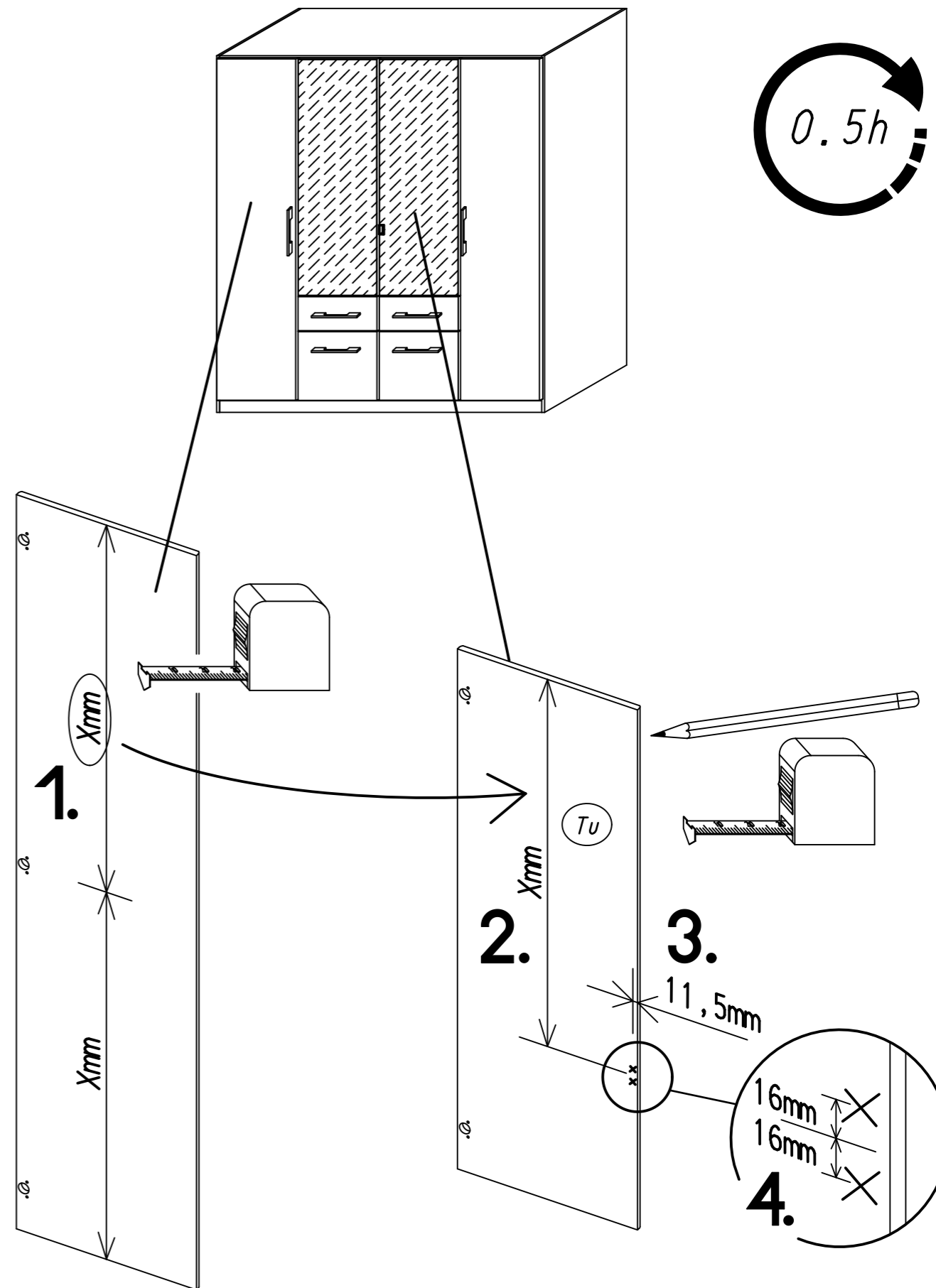
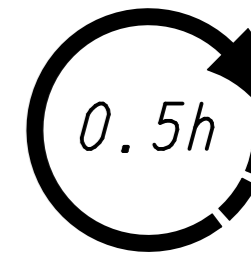
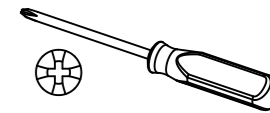
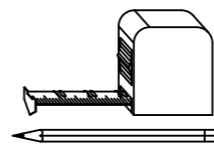
2



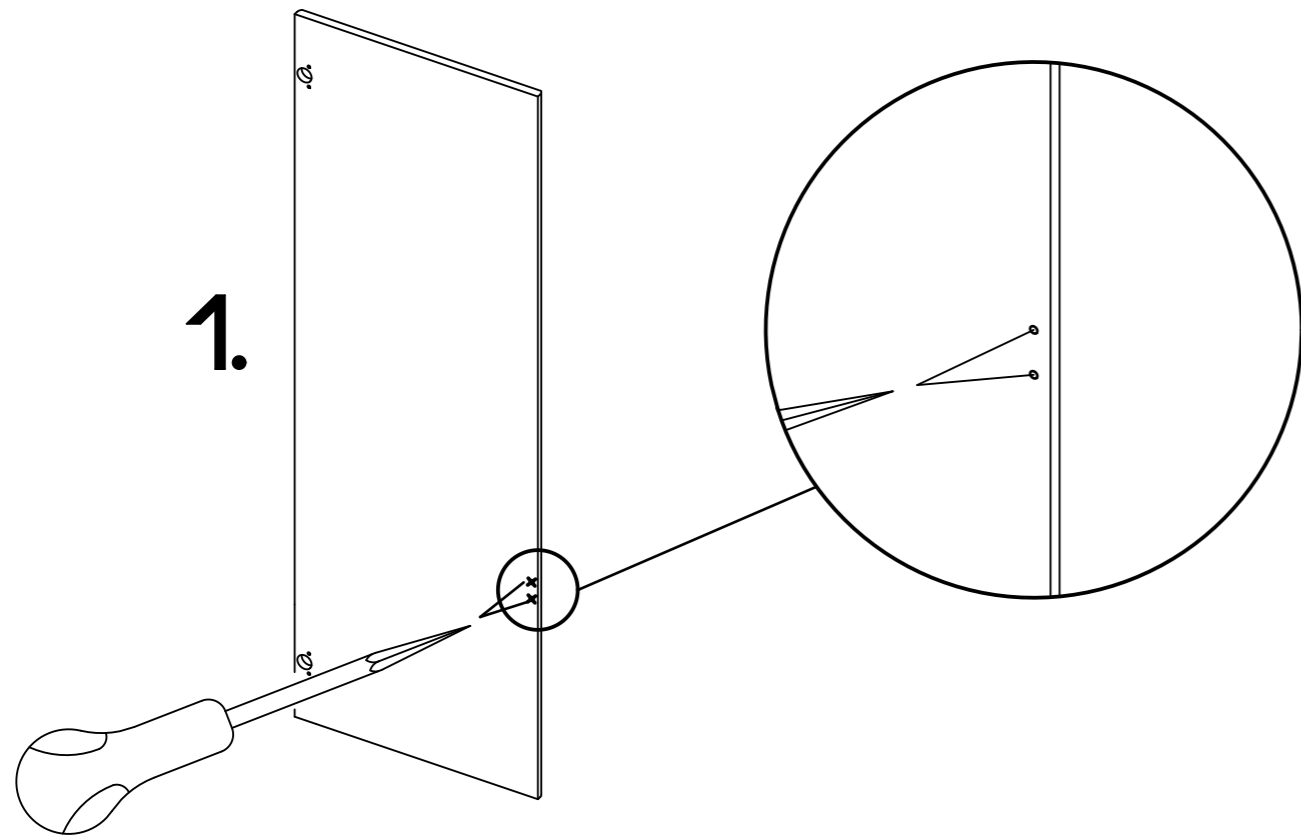
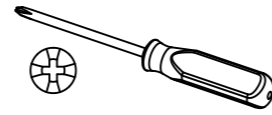
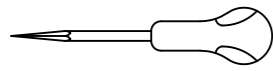
- 1x  $\textcircled{Tu}$  = 1x  $\textcircled{Gr}$  | 2x  $\textcircled{205}$
- 2x  $\textcircled{Tu}$  = 2x  $\textcircled{Gr}$  | 4x  $\textcircled{205}$
- 3x  $\textcircled{Tu}$  = 3x  $\textcircled{Gr}$  | 6x  $\textcircled{205}$
- ...



1



2



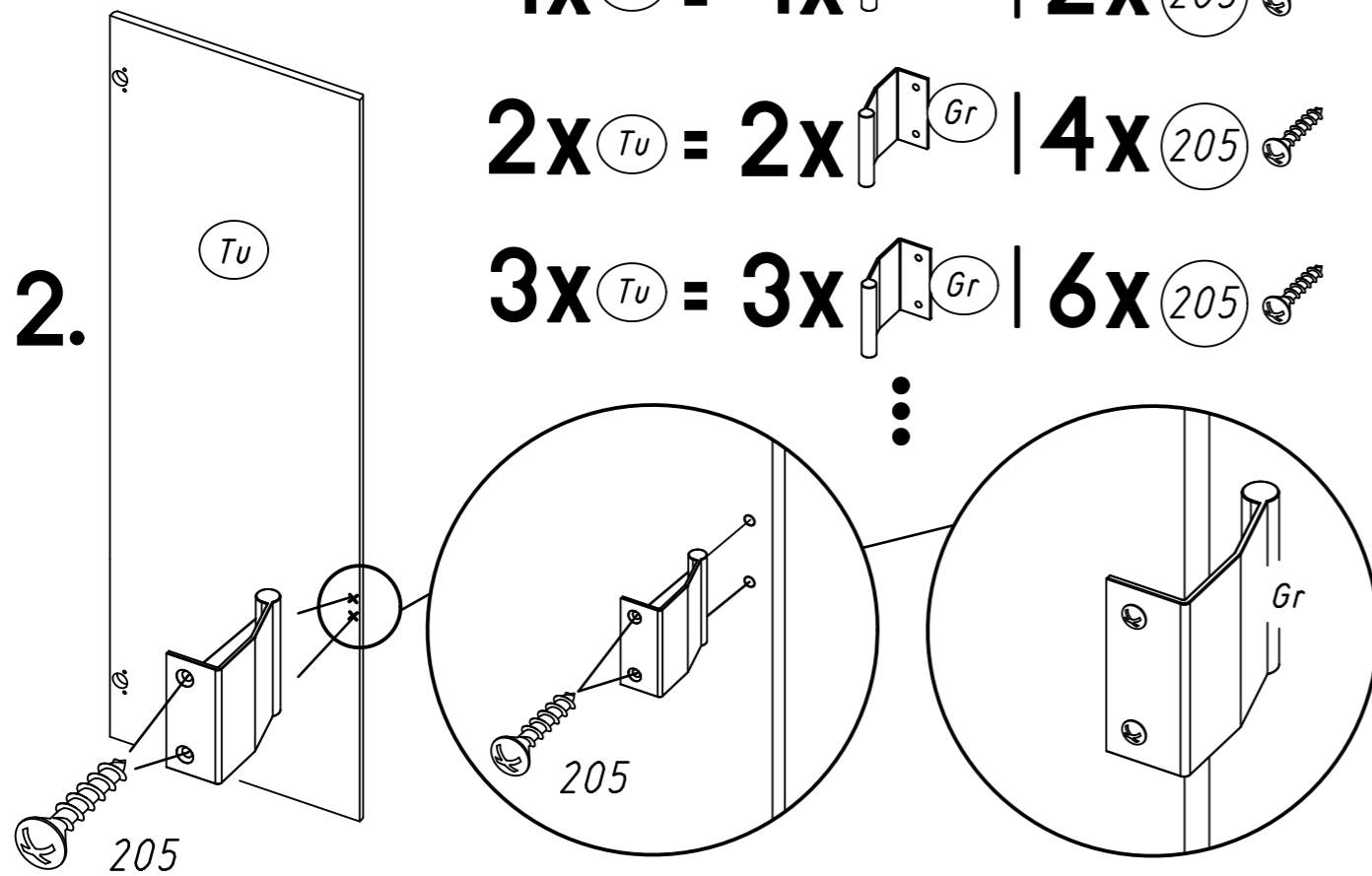
1.

1x (Tu) = 1x (Gr) | 2x (205)

2x (Tu) = 2x (Gr) | 4x (205)

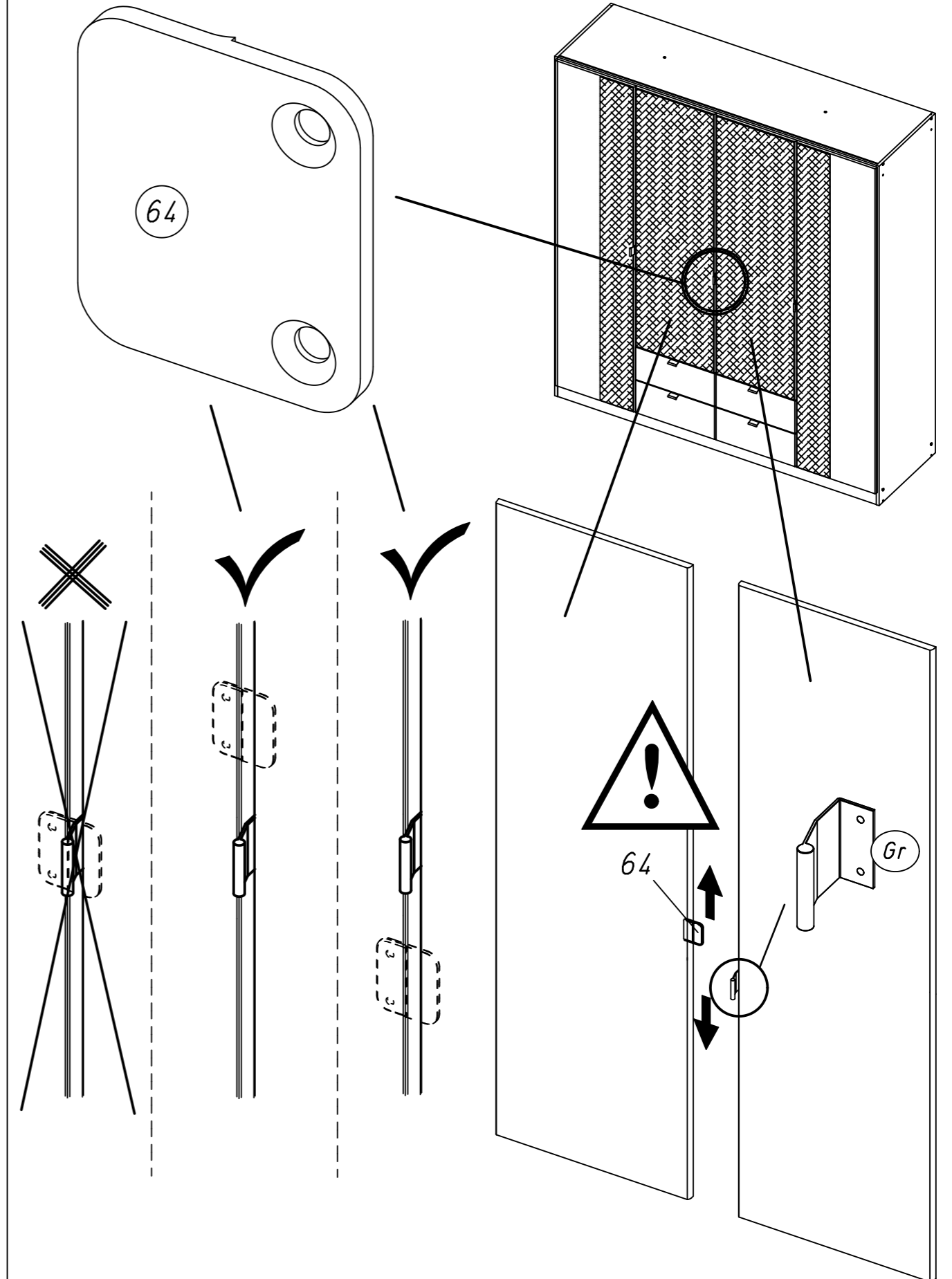
3x (Tu) = 3x (Gr) | 6x (205)

...



2.

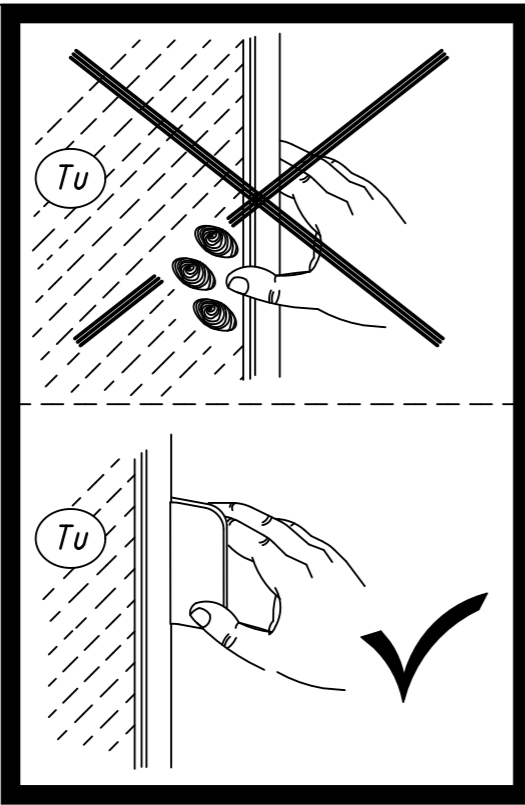
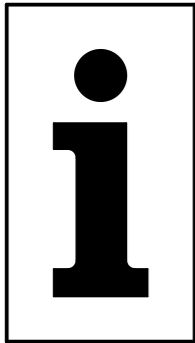
3



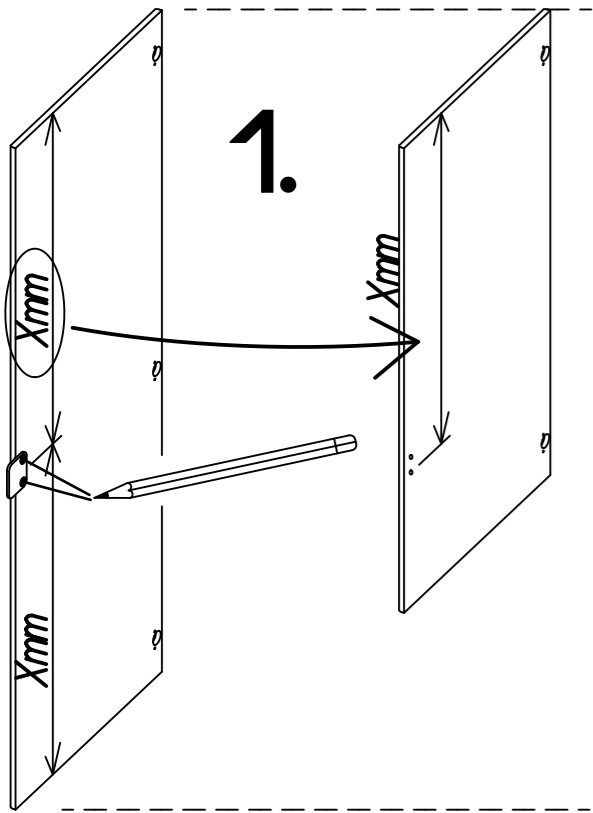
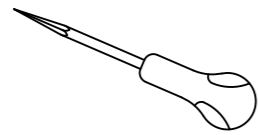
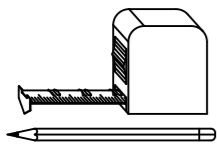
64

64

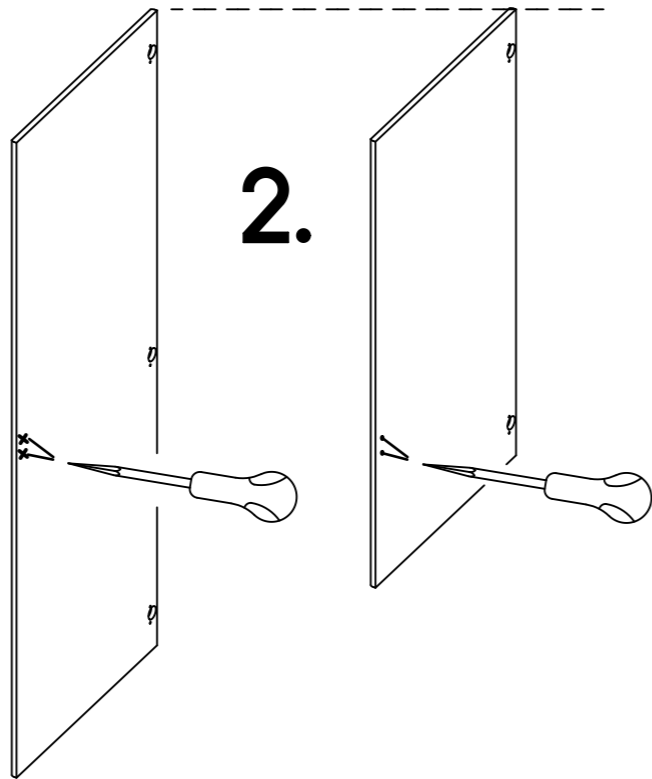
Gr



4

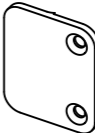


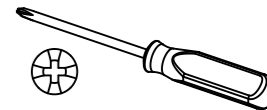
1.





2.

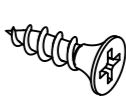
5

1x  $\text{Tu}$  = 1x 64 



1x  $\text{Tu}$  = 2x 202 

2x  $\text{Tu}$  = 4x 202 

3x  $\text{Tu}$  = 6x 202 

⋮

