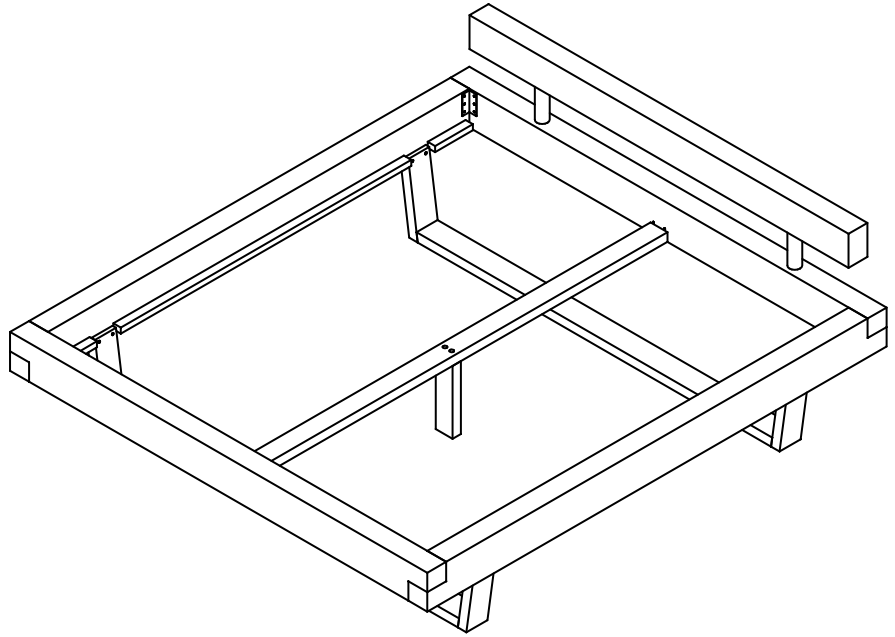
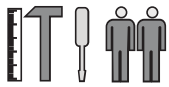
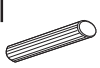


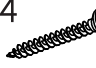






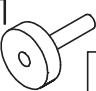





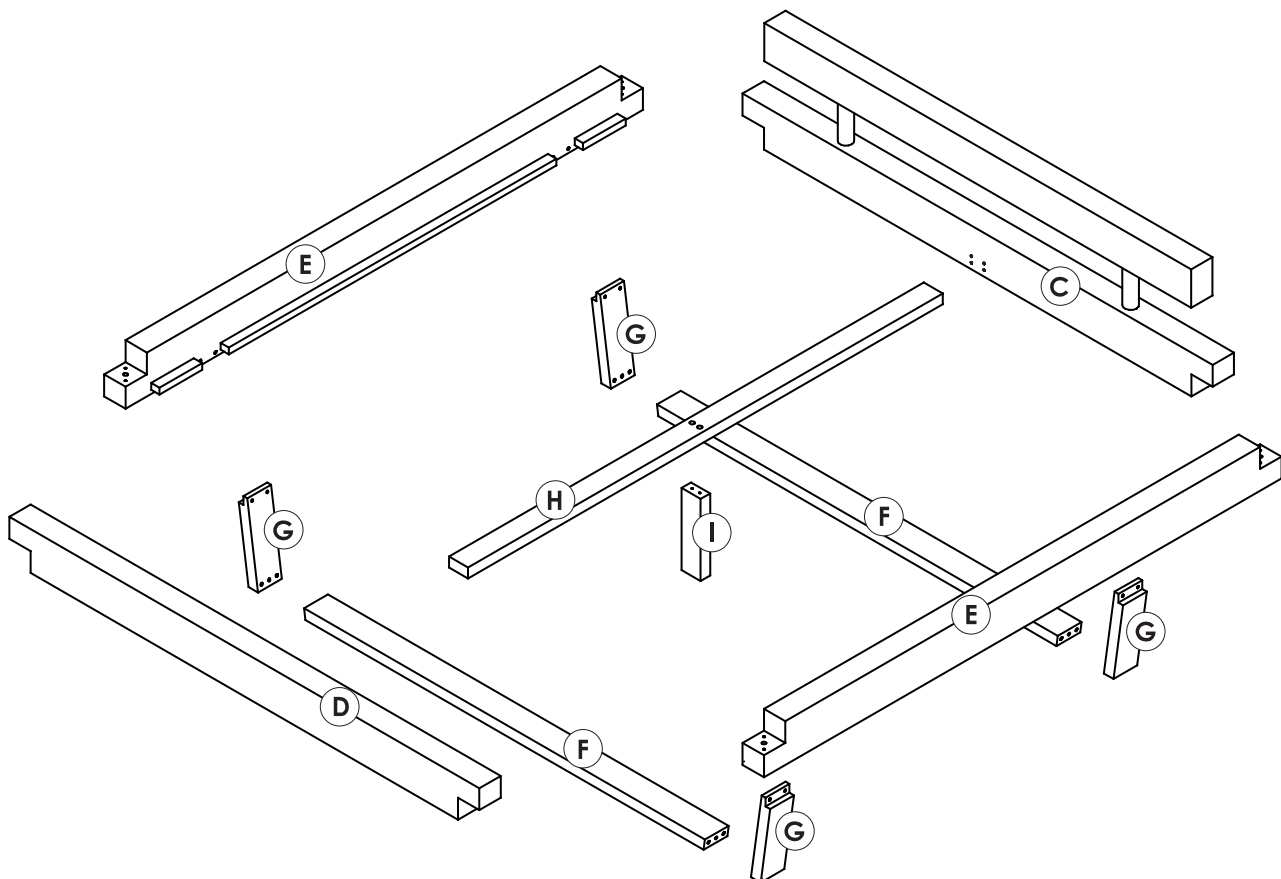
BETT 0229



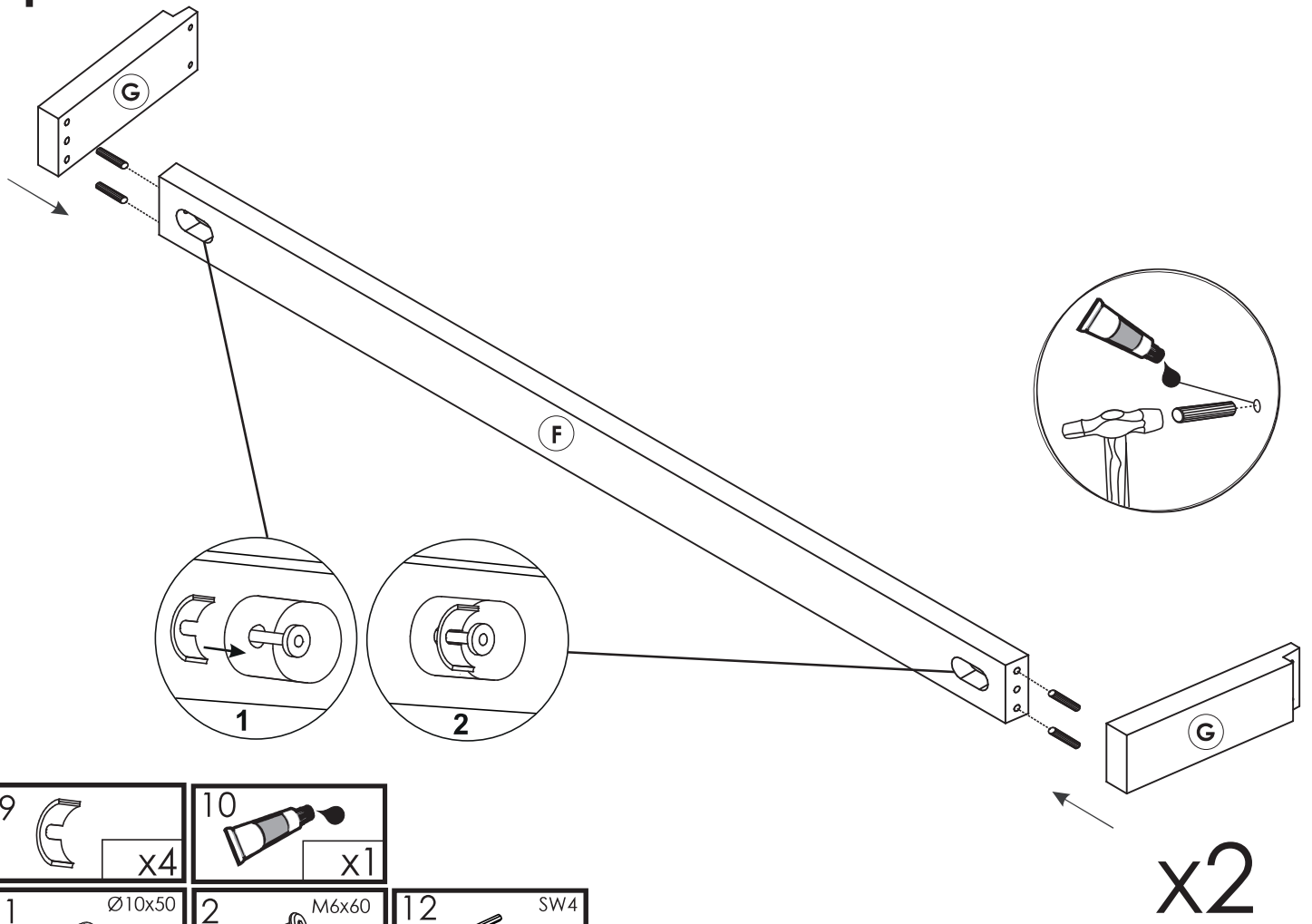
Aufbauzeit - 40 Minuten 



1  Ø10x50 x8	2  M6x60 x12	3  Ø12x100 x4	4  Ø6x120 x8	5  35x35x90 x4	6  Ø3,5x30 x24
7  x2	8  x2	9  x4	10  x1	11  x1	12  SW4 x1
13  Ø 5x55 x2	14  Ø3,0x25 x14				

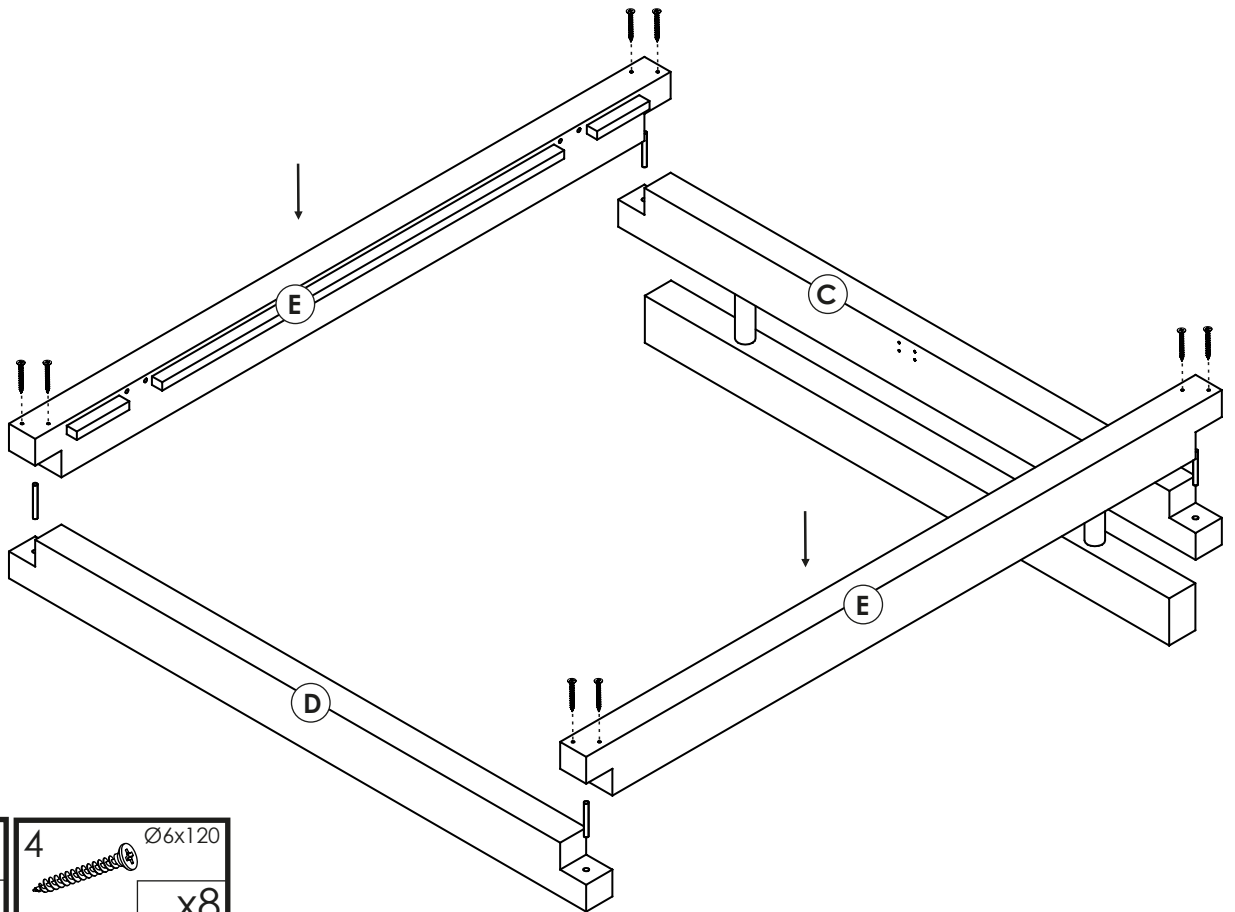


1



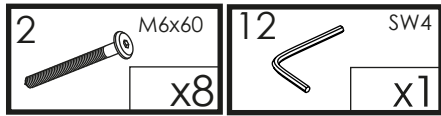
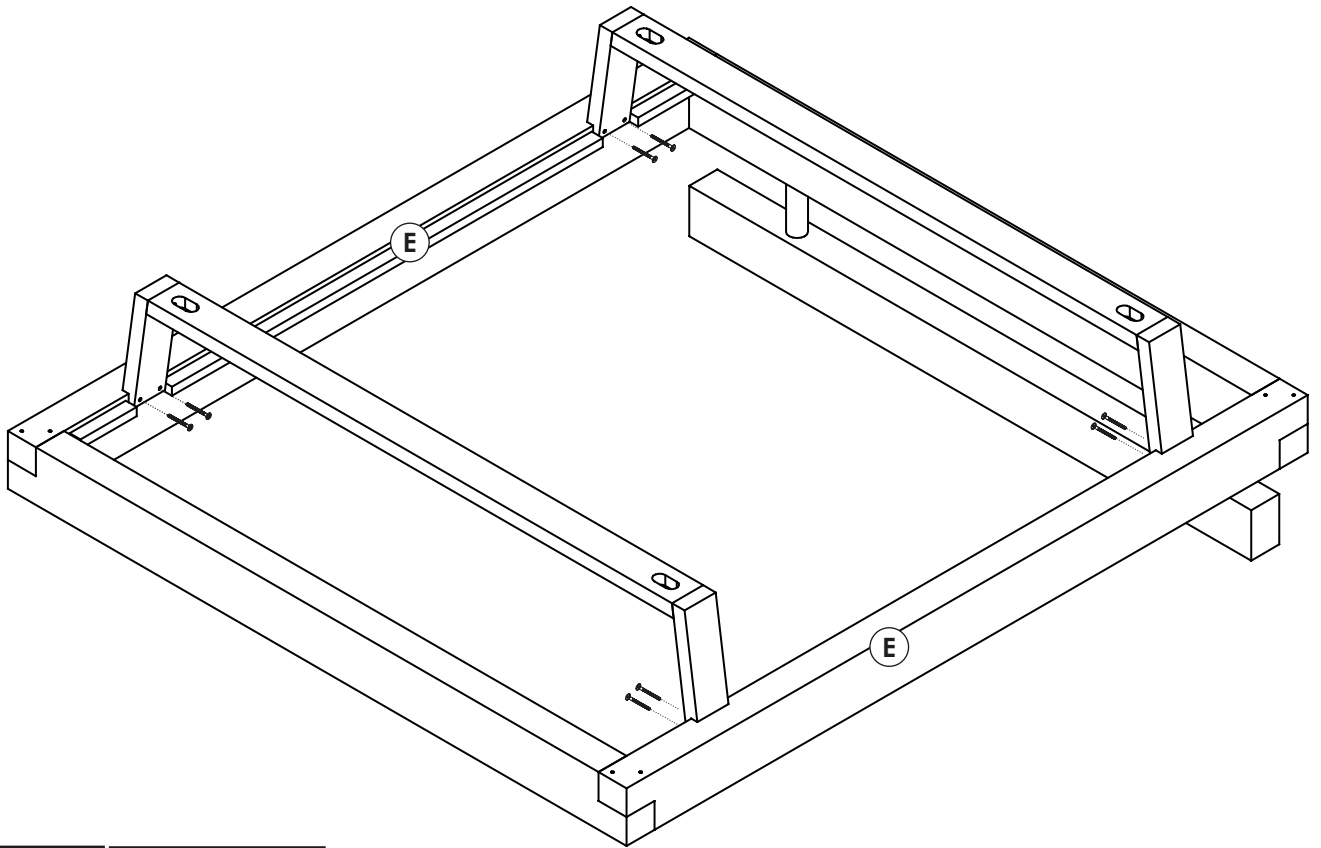
- | | | |
|----|--|--------------|
| 9 | | x4 |
| 10 | | x1 |
| 1 | | Ø10x50
x8 |
| 2 | | M6x60
x4 |
| 12 | | SW4
x1 |

2

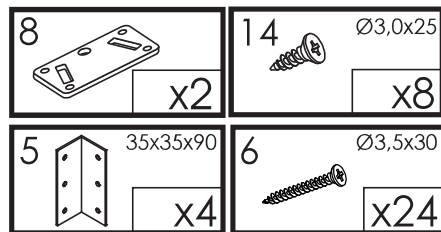
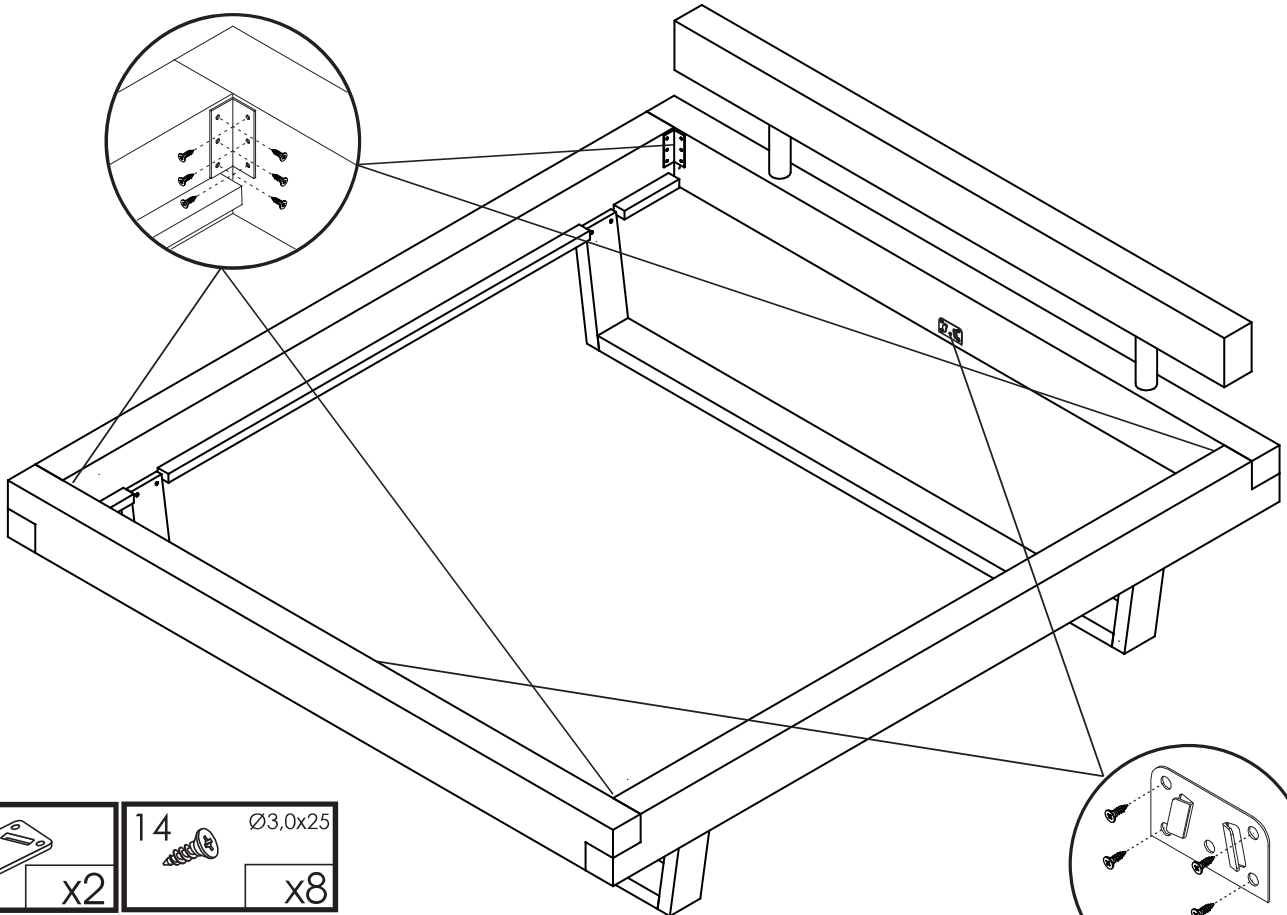


- | | | |
|---|--|---------------|
| 3 | | Ø12x100
x4 |
| 4 | | Ø6x120
x8 |

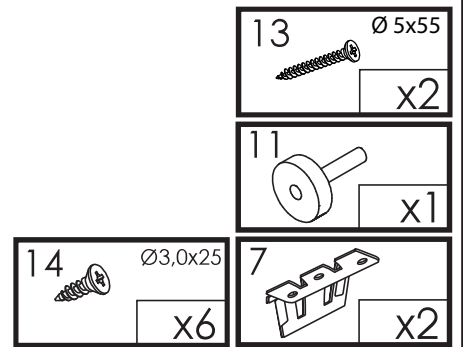
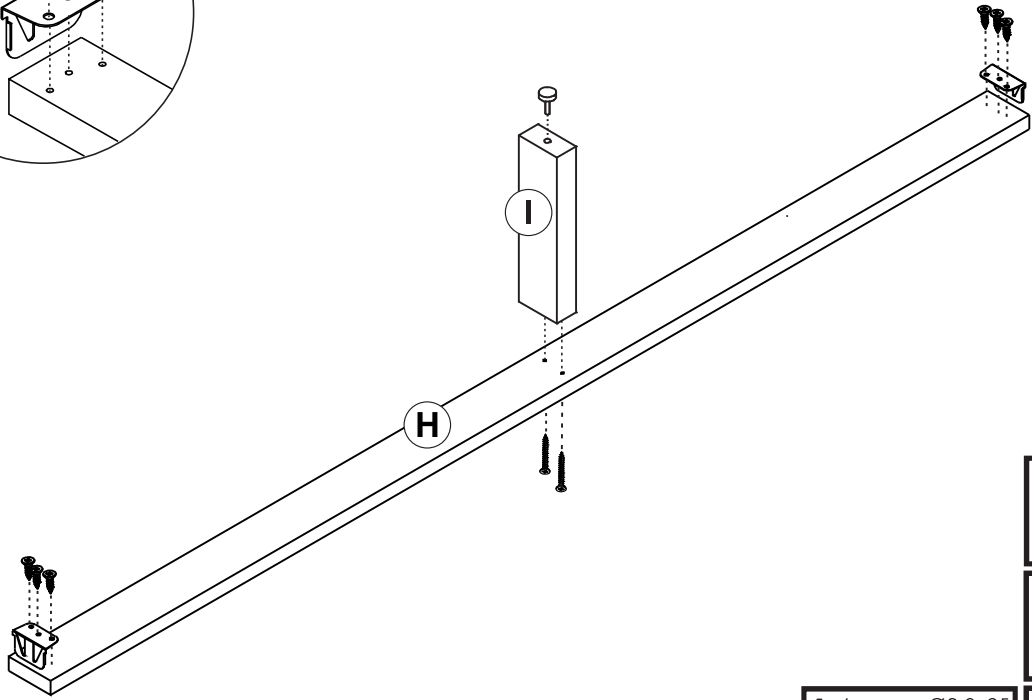
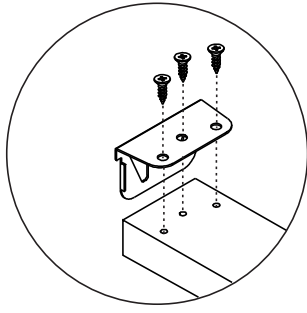
3



4



5



6

