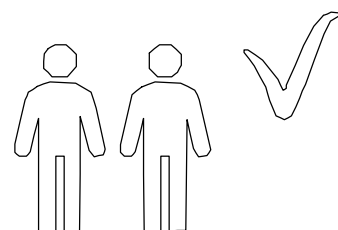
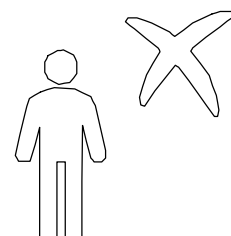
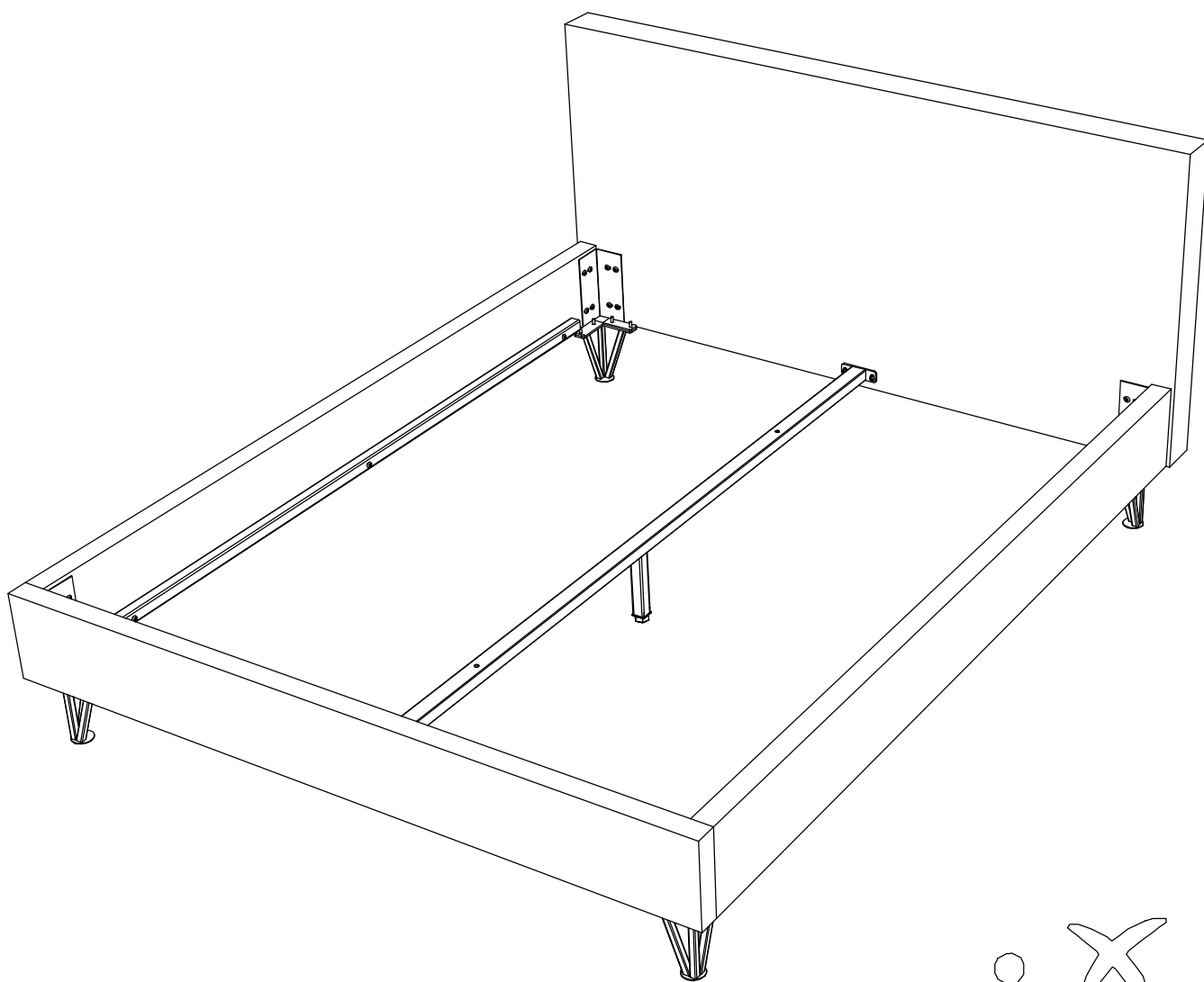
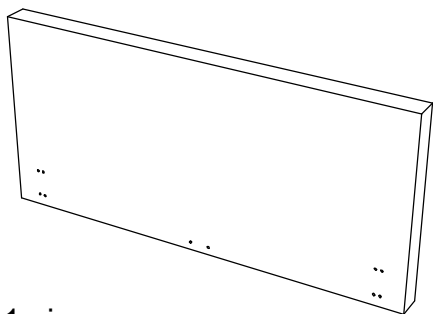


INSTALLATION INSTRUCTION



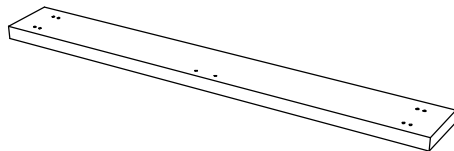
INSTALLATION INSTRUCTION

A



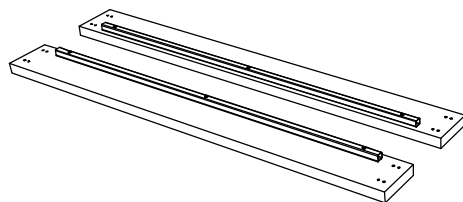
1 piece

B



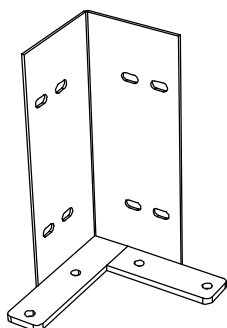
1 piece

C



2 pieces

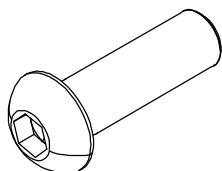
D



4 pieces

E

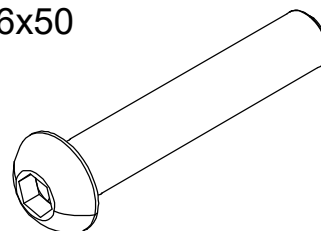
M6x25



28 pieces

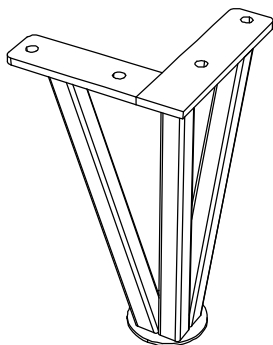
F

M6x50



8 pieces

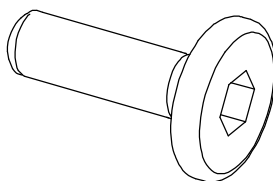
G



4 pieces

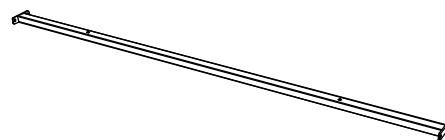
H

M6x20



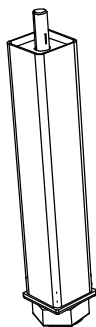
16 pieces

I



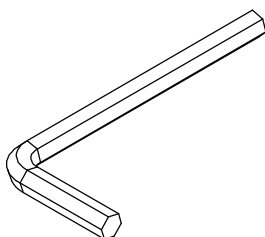
1 piece

J



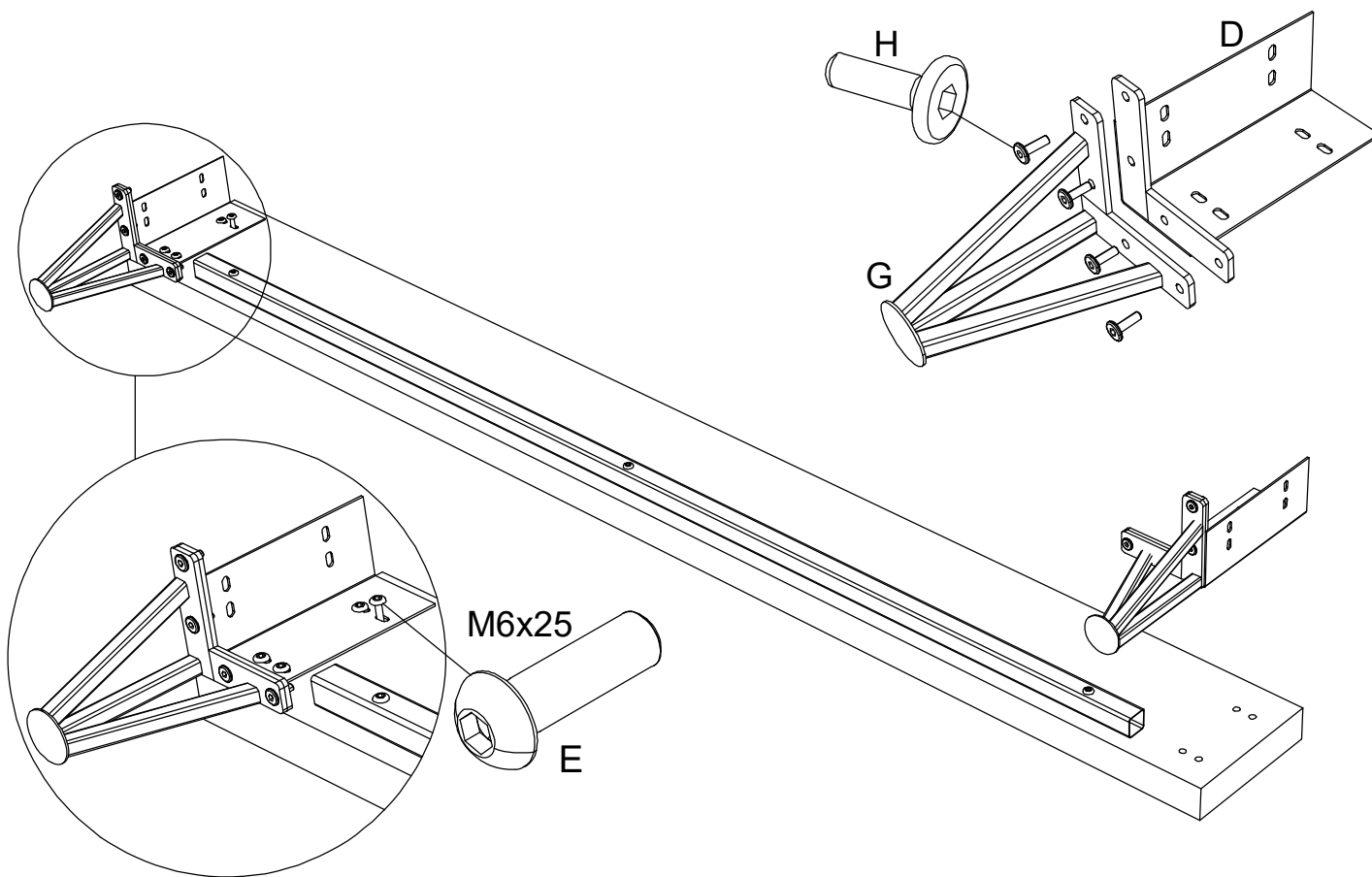
1 piece

K

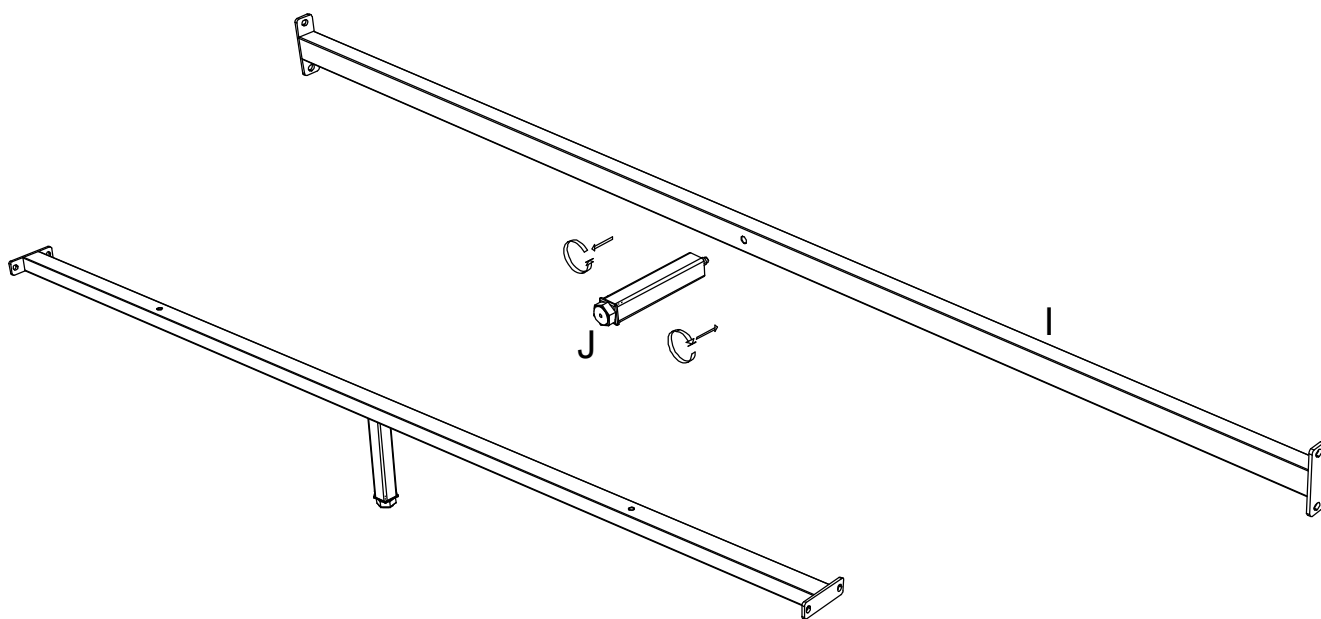


1 piece

INSTALLATION INSTRUCTION



Use the screw shown above to attach the corner bracket to the side panels and footboard panels of the bed frame.

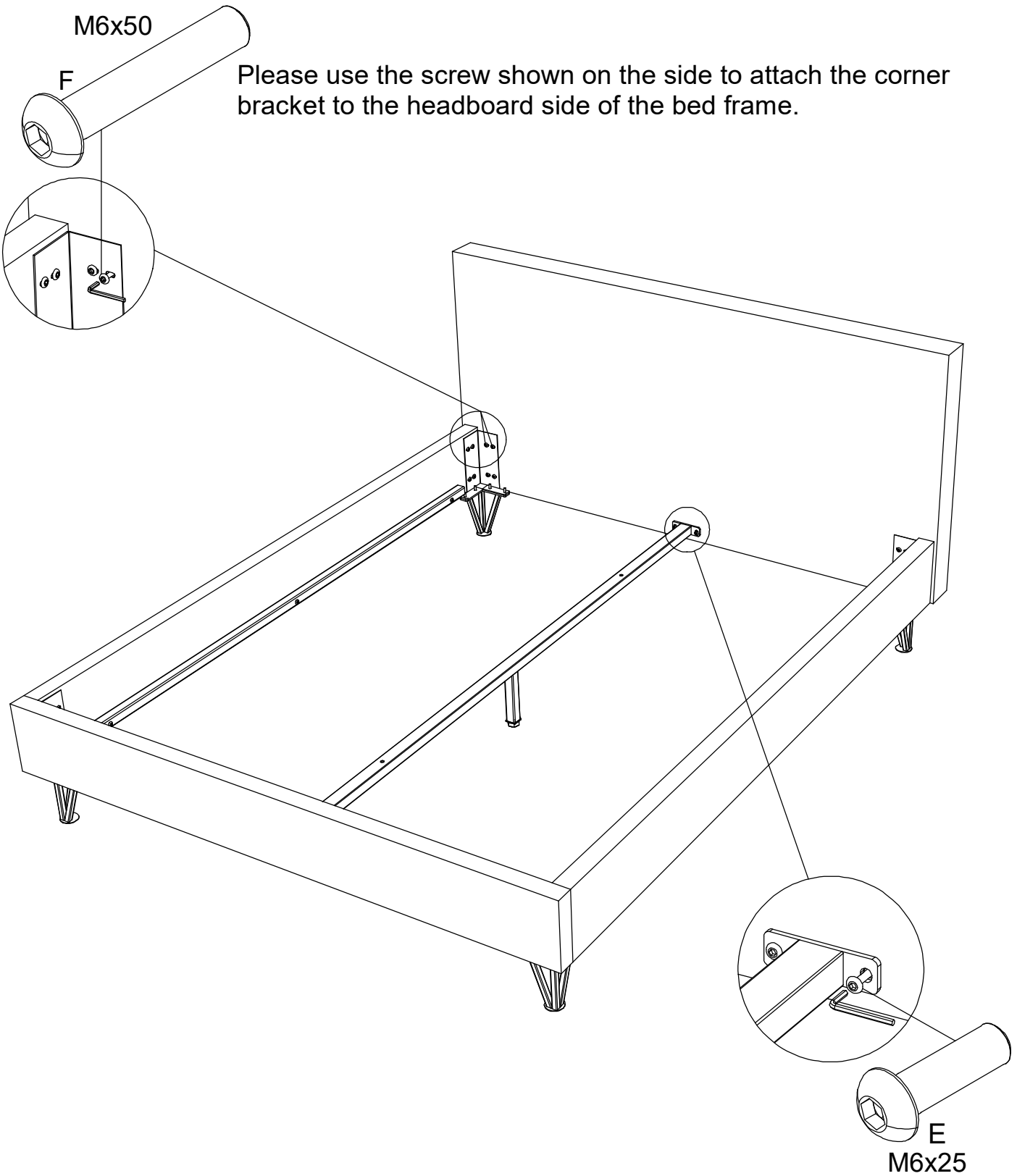


INSTALLATION INSTRUCTION

M6x50

F

Please use the screw shown on the side to attach the corner bracket to the headboard side of the bed frame.



Use the "E" type M6x25 screw to attach the bed frame center support.